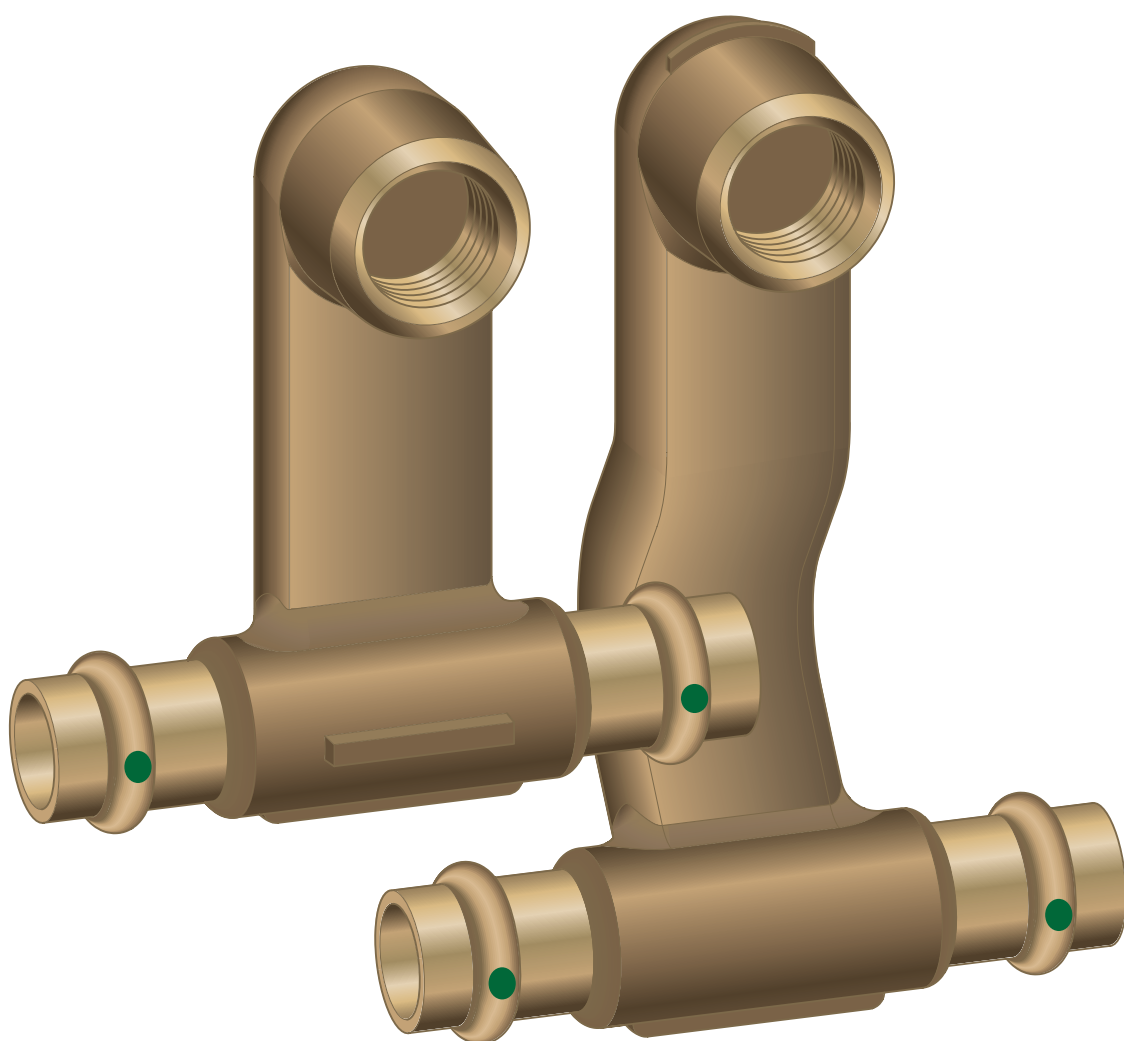


## Instructions for Use

# Sanpress radiator connector with SC-Contur



for connection to normal or valve radiators

**Model**  
2273.1

**Year built (from)**  
01/2001

**viega**

# Table of contents

<b>1</b>	<b>About these instructions for use</b>	<b>3</b>
	1.1 Target groups	3
	1.2 Labelling of notes	3
	1.3 About this translated version	3
<b>2</b>	<b>Product information</b>	<b>5</b>
	2.1 Standards and regulations	5
	2.2 Intended use	6
	2.2.1 Areas of application	6
	2.3 Product description	6
	2.3.1 Overview	6
	2.3.2 Press connectors	6
	2.3.3 Sealing elements	7
	2.3.4 Technical data	7
	2.3.5 Markings on components	8
<b>3</b>	<b>Handling</b>	<b>9</b>
	3.1 Storage	9
	3.2 Assembly information	9
	3.2.1 Mounting instructions	9
	3.2.2 Potential equalisation	9
	3.2.3 Permitted exchange of sealing elements	10
	3.2.4 Space requirements and intervals	10
	3.2.5 Required tools	12
	3.3 Assembly	13
	3.3.1 Replacing the sealing element	13
	3.3.2 Mount the radiator connection	14
	3.3.3 Leakage test	16
	3.4 Disposal	17

# 1 About these instructions for use

Trade mark rights exist for this document; for further information, go to [viega.com/legal](http://viega.com/legal).

## 1.1 Target groups

## 1.2 Labelling of notes

Warning and advisory texts are set aside from the remainder of the text and are labelled with the relevant pictographs.



### **DANGER!**

This symbol warns of possible life-threatening injury.



### **WARNING!**

This symbol warns of possible serious injury.



### **CAUTION!**

This symbol warns of possible injury.



### **NOTICE!**

This symbol warns of possible damage to property.



This symbol gives additional information and hints.

## 1.3 About this translated version

This instruction for use contains important information about the choice of product or system, assembly and commissioning as well as intended use and, if required, maintenance measures. The information about the products, their properties and application technology are based on the current standards in Europe (e.g. EN) and/or in Germany (e.g. DIN/DVGW).

Some passages in the text may refer to technical codes in Europe/Germany. These should serve as recommendations in the absence of corresponding national regulations. The relevant national laws, standards, regulations, directives and other technical provisions take priority over the German/European directives specified in this manual: The information herein is not binding for other countries and regions; as said above, they should be understood as a recommendation.

## 2 Product information

### 2.1 Standards and regulations

The following standards and regulations apply to Germany / Europe and are provided as a support feature.

#### Regulations from section: Intended use

Scope / Notice	Regulations applicable in Germany
Regulation on material selection	DIN 50930-6
Regulation on material selection	DIN EN 12502-1

#### Regulations from section: Media

Scope / Notice	Regulations applicable in Germany
Suitability for heating water for pump hot water heating systems	VDI-Richtlinie 2035, Sheet 1 and Sheet 2

#### Regulations from section: Storage

Scope / Notice	Regulations applicable in Germany
Requirements for material storage	DIN EN 806-4, Chapter 4.2

#### Regulations from section: Leakage test

Scope / Notice	Regulations applicable in Germany
Leakage test for water installations	ZVSHK-Merkblatt: "Dichtheitsprüfungen von Trinkwasserinstallationen mit Druckluft, Inertgas oder Wasser"
Test on a system that is finished but not yet covered	DIN EN 14336

## 2.2 Intended use

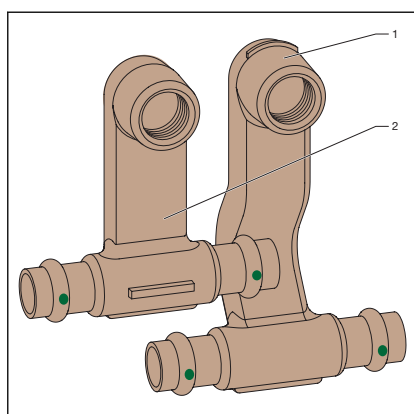
### 2.2.1 Areas of application

Use is possible in the following areas among others:

- Heating systems

## 2.3 Product description

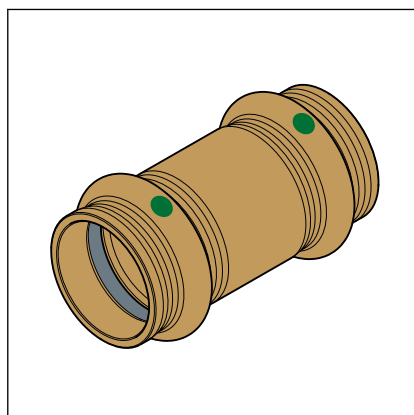
### 2.3.1 Overview



- 1 Connection lower line
- 2 Connection upper line

Fig. 1: Overview

### 2.3.2 Press connectors



The press connectors have a circumferential bead in which the sealing element lies. The press connector is deformed upstream and downstream of the bead and permanently connected to the pipe during pressing. The sealing element is not deformed during pressing.

Fig. 2: Press connectors

### SC-Contur

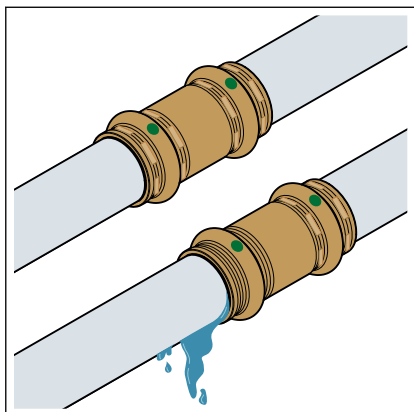


Fig. 3: SC-Contur

Viega press connectors are equipped with the SC-Contur. The SC-Contur is a safety technology that is certified by the DVGW and ensures that the press connector is guaranteed to be leaky in an unpressed state. In this way, inadvertently unpressed connections are noticed during a leakage test.

Viega guarantees that accidentally unpressed connections become visible during a leakage test:

- with the wet leakage test in the pressure range from 0.1–0.65 MPa (1.0–6.5 bar)
- with dry leakage test in the pressure range from 22 hPa–0.3 MPa (22 mbar–3.0 bar)

### 2.3.3 Sealing elements

The press connectors are factory-fitted with EPDM sealing elements.

### 2.3.4 Technical data

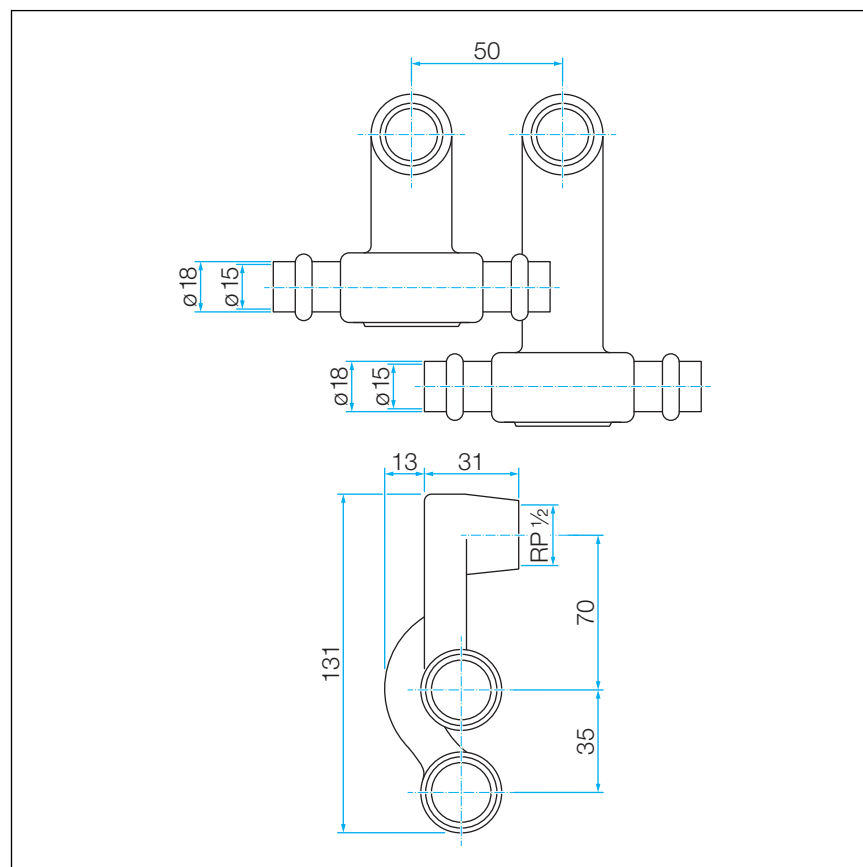
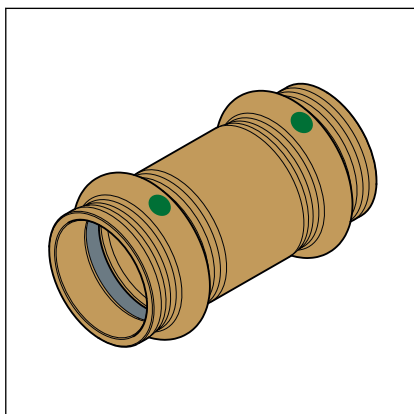


Fig. 4: Installation dimensions

## 2.3.5 Markings on components

### Markings on press connectors

The press connectors are marked with a coloured dot. The dot identifies the SC-Contur where the test medium would escape in the case of an inadvertently unpressed connection.



The green dot indicates that the system is suitable for potable water and is equipped with the SC-Contur.

**Fig. 5: Marking on the press connector**



## 3 Handling

### 3.1 Storage

For storage, comply with the requirements specified in the applicable regulations, see ↗ *'Regulations from section: Storage' on page 5:*

- Store components in a clean and dry place.
- Do not store the components directly on the floor.

### 3.2 Assembly information

#### 3.2.1 Mounting instructions

##### Checking system components

System components may, in some cases, have become damaged through transportation and storage.

- Check all parts.
- Replace damaged components.
- Do not repair damaged components.
- Contaminated components may not be installed.

#### 3.2.2 Potential equalisation



#### **DANGER!** **Danger due to electrical current**

An electric shock can lead to burns and serious injury and even death.

Because all metallic piping systems conduct electricity, unintentional contact with a live part can lead to the whole piping system and components connected to it (e. g. radiators) becoming energised.

- Only allow electrical work to be carried out by qualified electricians.
- Always integrate the metal piping system into the potential equalisation.



It is the fitter of the electrical system who is responsible for ensuring that the potential equalisation is tested and secured.

### 3.2.3 Permitted exchange of sealing elements



#### Important instruction

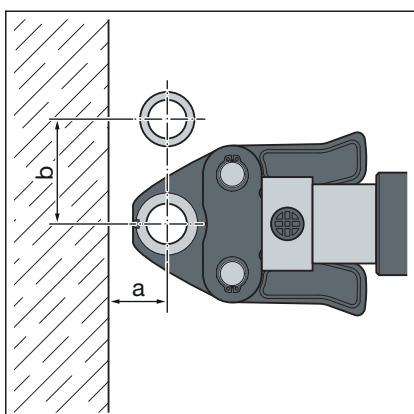
With their material-specific qualities, sealing elements in press connectors are adapted for use with the corresponding media and/or the areas of use of the piping systems and are generally only certified for them.

Exchanging a sealing element is permitted in the following situations:

- if the sealing element in the press connector is obviously damaged and should be exchanged for a Viega spare sealing element made of the same material
- if an EPDM sealing element should be exchanged for an FKM sealing element (higher thermal resistance, e.g. for industrial use)

### 3.2.4 Space requirements and intervals

#### Pressing between pipelines

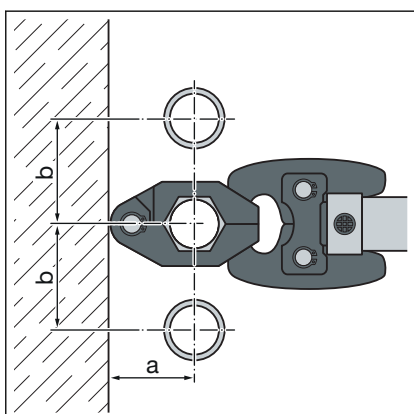


Space requirement PT1, type 2 (PT2), PT3-EH, PT3-AH, Pressgun 4B, 4E, 5, 6, 6B, 6 Plus

d	15	18
a [mm]	20	20
b [mm]	50	55

Space requirement Picco, Pressgun Picco, Pressgun Picco 6, Pressgun Picco 6 Plus

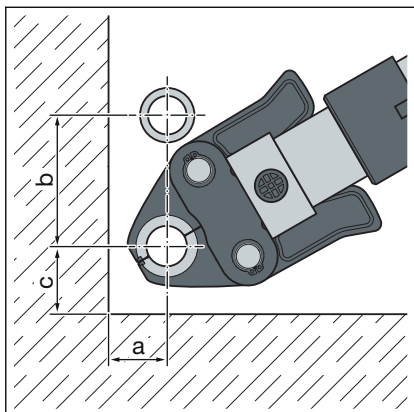
d	15	18
a [mm]	25	25
b [mm]	60	60



Space requirement press ring

d	15	18
a [mm]	40	45
b [mm]	50	55

**Pressing between pipe and wall**

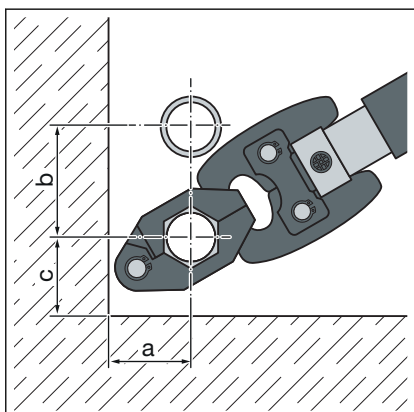


Space requirement PT1, type 2 (PT2), PT3-EH, PT3-AH, Pressgun 4B, 4E, 5, 6, 6B, 6 Plus

d	15	18
a [mm]	25	25
b [mm]	65	75
c [mm]	40	40

Space requirement Picco, Pressgun Picco, Pressgun Picco 6, Pressgun Picco 6 Plus

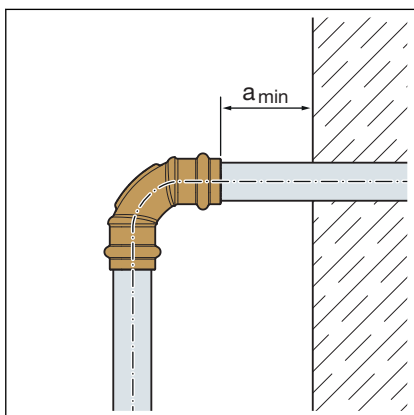
d	15	18
a [mm]	30	30
b [mm]	70	70
c [mm]	40	40



Space requirement press ring

d	15	18
a [mm]	40	45
b [mm]	50	55
c [mm]	35	40

**Wall distance**



Minimum distance with d 15–18

Press machine	a <sub>min</sub> [mm]
PT1	45
Type 2 (PT2)	50
Type PT3-EH	
Type PT3-AH	
Pressgun 4E / 4B	
Pressgun 5	
Pressgun 6 / 6B / 6 Plus	35
Picco / Pressgun Picco	
Pressgun Picco 6 / Pressgun Picco 6 Plus	

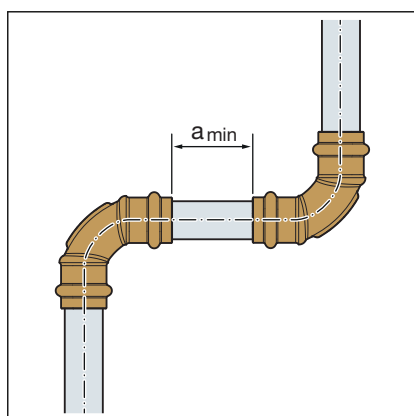
## Interval between the pressings



### NOTICE! Leaking press connections due to pipes being too short!

If two press connectors are to be mounted onto a pipe without an interval, the pipe must not be too short. If the pipe is not inserted up to the prescribed insertion depth in the press connector during pressing, the connection may become leaky.

With pipes with a diameter of  $d$  12–28, the length of the pipe must be at least as long as the total insertion depth of both press connectors.



### Minimum distance with press jaws $d$ 15–18

$d$	$a_{\min}$ [mm]
15	0
18	0

## Z dimensions

For the Z dimensions, refer to the respective product page in the online catalogue.

## 3.2.5 Required tools

The following tools are required for production of a press connection:

- pipe cutter or a fine-toothed hacksaw
- deburrer and coloured pen for marking
- Press machine with constant pressing force
- Press jaw or press ring with corresponding hinged adapter jaw, suitable for the pipe diameter and with suitable profile

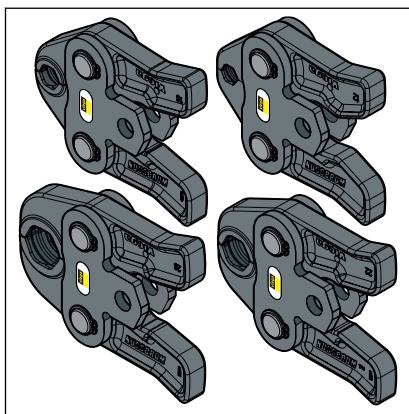


Fig. 6: Press jaws



**Viega recommends the use of Viega system tools when installing the press fittings.**

The Viega system press tools have been developed and tailored specifically for the installation of Viega press connector systems.

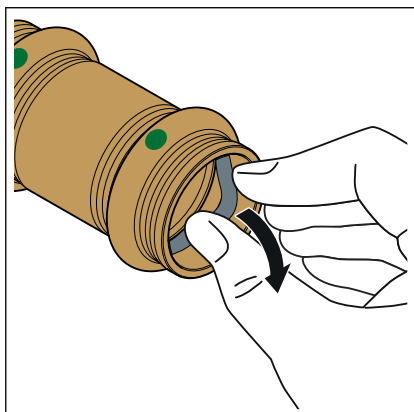
## 3.3 Assembly

### 3.3.1 Replacing the sealing element

#### Removing the sealing element

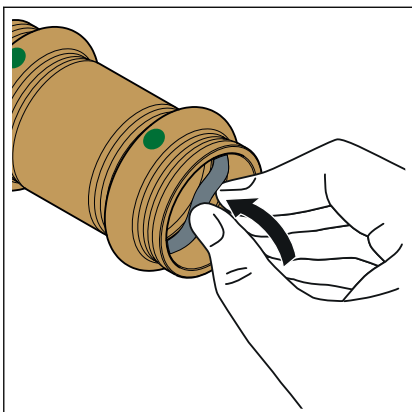


Do not use pointed or sharp-edged objects to remove the sealing element. They may damage the sealing element or the bead.



- Remove the sealing element from the bead.

### Inserting the sealing element

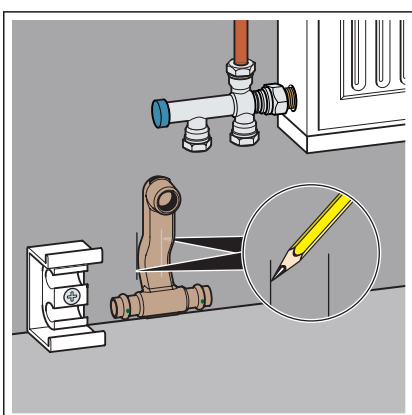
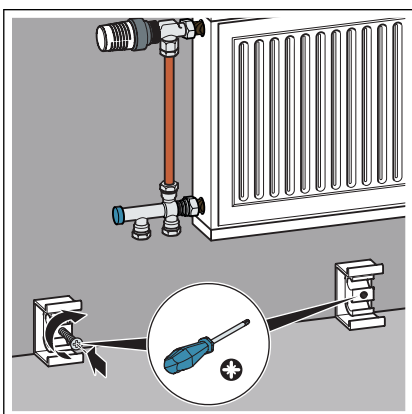


- Insert a new, undamaged sealing element into the bead.
- Ensure that the complete sealing element is in the bead.

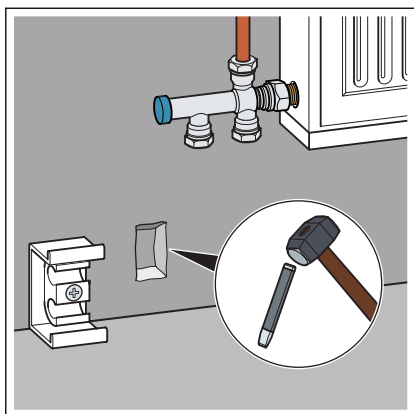
### 3.3.2 Mount the radiator connection

Requirements:

- The radiator is mounted.
- Attach the pipe clamps as pipe and skirting board holders (distance approx. 50 cm).

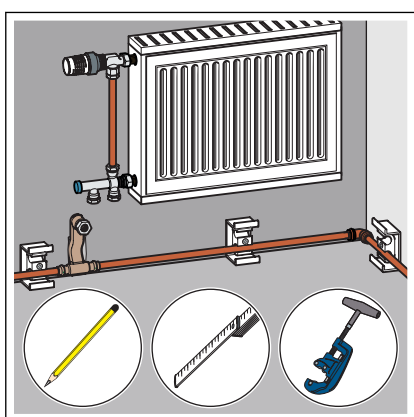


- Mark the recess in the skirting board radiator connecting piece.

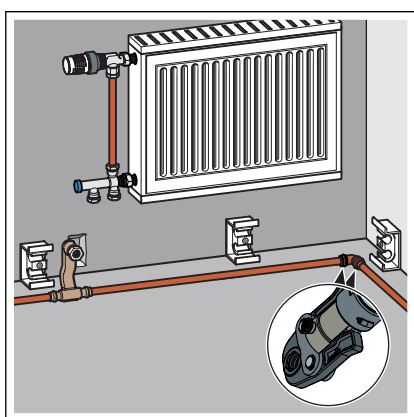


- Create the recess.

The plaster must be removed about 1.5 cm deep and 3 cm wide where the supply and return flow cross.

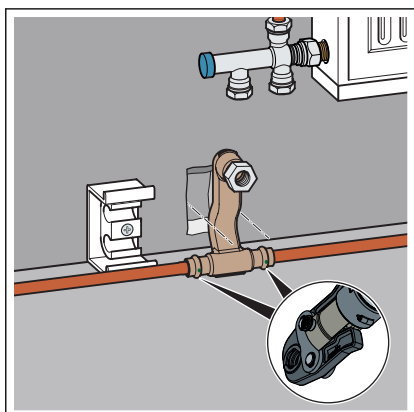


- Set up the lower line.

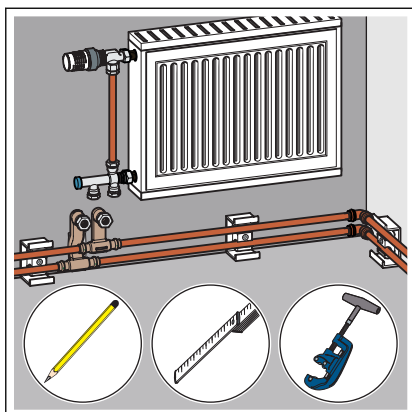


- Bring the line forward.
- Create press connection.

**NOTICE!** Press in the corners first.

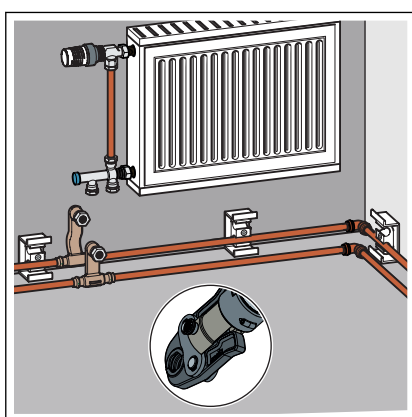


- Align the connecting piece.
- Create press connection.

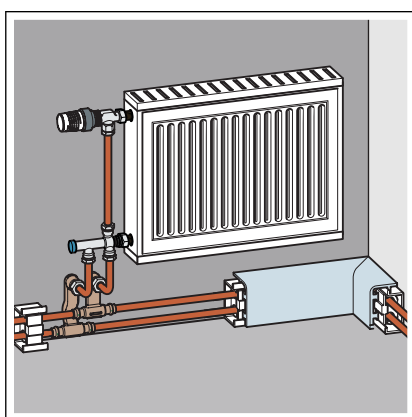


- Set up the top line.

**NOTICE!** Note the actual dimension of the supply/return flow.



- Bring the line forward.
- Create press connection.



- Connect the radiator.
- Fill the system.
- Fit the skirting boards after the leakage test.

### 3.3.3 Leakage test

The installer must perform a leakage test before commissioning.

Carry out this test on a system that is finished but not covered yet.

Observe the applicable regulations, see ↪ *'Regulations from section: Leakage test' on page 5.*

The leakage test pursuant to the applicable regulations must also be carried out for non-potable water installations, see ↪ *'Regulations from section: Leakage test' on page 5.*

Document the result.



## 3.4 Disposal

Separate the product and packaging materials (e. g. paper, metal, plastic or non-ferrous metals) and dispose of in accordance with valid national legal requirements.



**Viega GmbH & Co. KG**  
service-technik@viega.de  
viega.com

INT • 2022-02 • VPN200508

