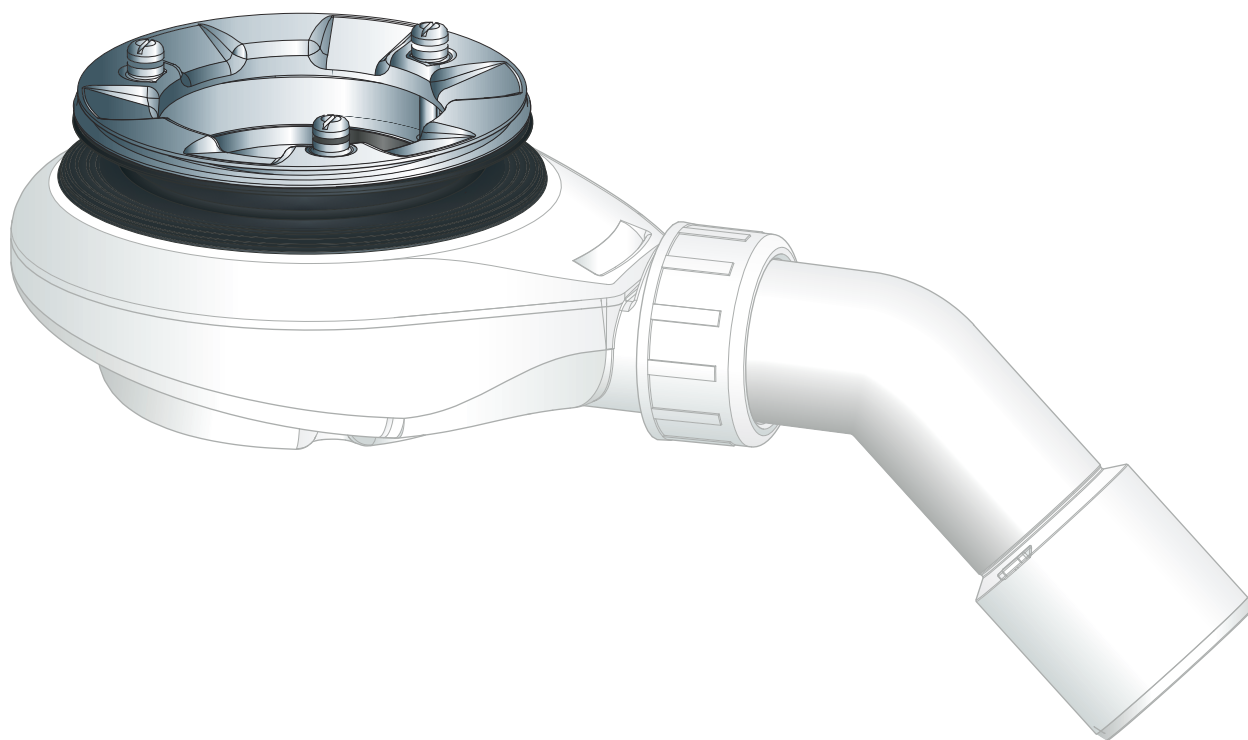


## Instructions for Use

# Tempoplex drain functional unit, CH 60 mm



**Model**  
6963.1

**Year built (from)**  
01/2010

**viega**

# Table of contents

<b>1</b>	<b>About these instructions for use</b>	<b>3</b>
	1.1 Target groups	3
	1.2 Labelling of notes	3
	1.3 About this translated version	4
<b>2</b>	<b>Product information</b>	<b>5</b>
	2.1 Intended use	5
	2.1.1 Areas of application	5
	2.2 Product description	6
	2.2.1 Overview	6
	2.2.2 Technical data	6
	2.3 Accessories	7
<b>3</b>	<b>Handling</b>	<b>8</b>
	3.1 Assembly information	8
	3.1.1 Mounting conditions	8
	3.1.2 Installation dimensions	8
	3.2 Assembly	8
	3.2.1 Mounting the drain	8
	3.2.2 Connecting the wastewater system	11
	3.2.3 Leakage test	11
	3.3 Care	12
	3.4 Cleaning the drain	12
	3.5 Disposal	14

# 1 About these instructions for use

Trade mark rights exist for this document; for further information, go to [viega.com/legal](http://viega.com/legal).

## 1.1 Target groups

The information in this instruction manual is directed at the following groups of people:

- Heating and plumbing experts and trained personnel
- Operators
- Consumers

Individuals without the abovementioned training or qualification are not permitted to mount, install and, if required, maintain this product. This restriction does not extend to possible operating instructions.

The installation of Viega products must take place in accordance with the general rules of engineering and the Viega instructions for use.

## 1.2 Labelling of notes

Warning and advisory texts are set aside from the remainder of the text and are labelled with the relevant pictographs.



### **DANGER!**

This symbol warns of possible life-threatening injury.



### **WARNING!**

This symbol warns of possible serious injury.



### **CAUTION!**

This symbol warns of possible injury.



### **NOTICE!**

This symbol warns of possible damage to property.



This symbol gives additional information and hints.

### 1.3 About this translated version

This instruction for use contains important information about the choice of product or system, assembly and commissioning as well as intended use and, if required, maintenance measures. The information about the products, their properties and application technology are based on the current standards in Europe (e.g. EN) and/or in Germany (e.g. DIN/DVGW).

Some passages in the text may refer to technical codes in Europe/Germany. These should serve as recommendations in the absence of corresponding national regulations. The relevant national laws, standards, regulations, directives and other technical provisions take priority over the German/European directives specified in this manual: The information herein is not binding for other countries and regions; as said above, they should be understood as a recommendation.

## 2 Product information

### 2.1 Intended use

#### 2.1.1 Areas of application



#### **NOTICE!**

#### **Risk of damage due to unsuitable liquids**

To avoid damaging the drain, only introduce the following liquids:

- Typical household wastewater with temperatures up to 95 °C
- The pH value must be higher than 4 but lower than 10.

The Tempoplex drain is a drain with odour trap for shower trays with a 90 mm drain hole.

This Tempoplex shower drain is suitable for installation in shallow and ultra-shallow shower trays.

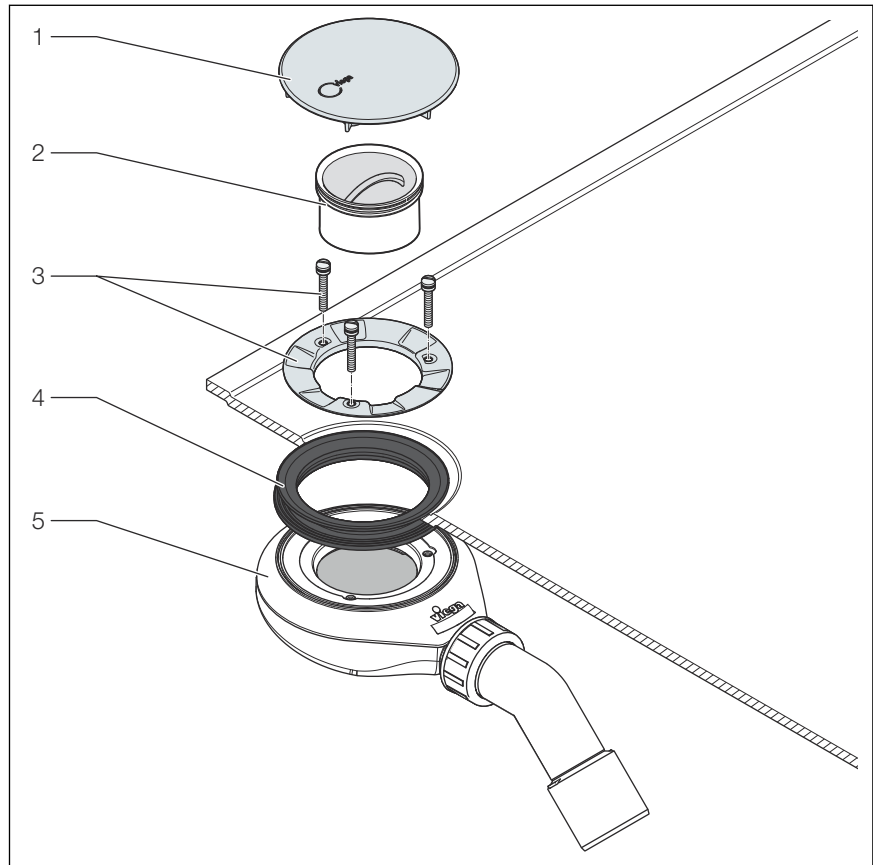


The cover plate must be purchased separately.

Detailed information regarding all shower tray models and the corresponding Viega drains can be found in the catalogue or on the Internet.

## 2.2 Product description

### 2.2.1 Overview



**Fig. 1: Components**

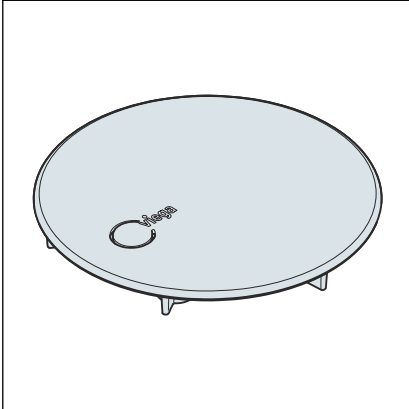
- 1 Cover plate (accessory)
- 2 Immersion pipe
- 3 Fixing flange with screws
- 4 Seal
- 5 Odour trap

### 2.2.2 Technical data

Drainage capacity at an accumulation height of 15 mm	0.55 l/s
Diameter drain hole	90 mm
Outlet pipe DN (nominal diameter)	40 / 50 mm
Height	60 mm
Dimensions and installation depth	↳ Chapter 3.1.2 'Installation dimensions' on page 8
Water seal level	30 mm

## 2.3 Accessories

### Cover plate



A cover plate must be purchased separately to complete the mounting of the drain (model 6964.0).

## 3 Handling

### 3.1 Assembly information

#### 3.1.1 Mounting conditions

The following requirements exist for the mounting of the drain:

- The shower tray is installed.
- The drain pipeline is installed all the way to the shower tray.
- The underside of the shower tray is accessible.
- The drainage capacity is sufficient at an accumulation height of 15 mm.

#### 3.1.2 Installation dimensions

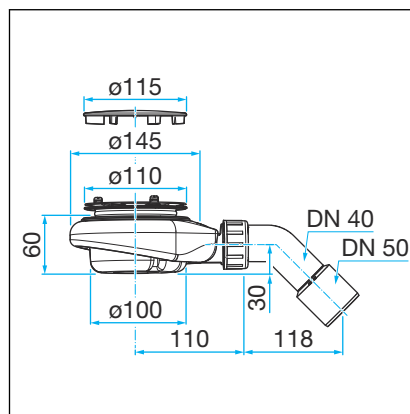


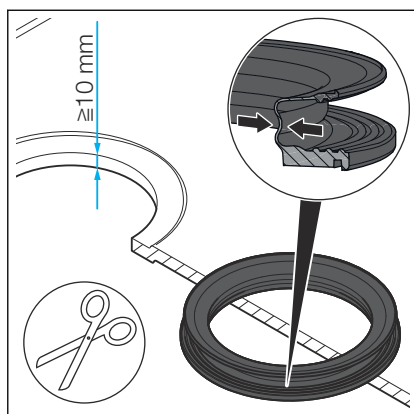
Fig. 2: Dimensional drawing

### 3.2 Assembly

#### 3.2.1 Mounting the drain

##### Separating seal

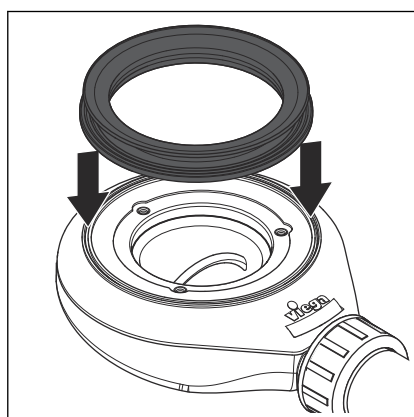
If the shower tray bottom is thicker than 10 mm, separate the seal:



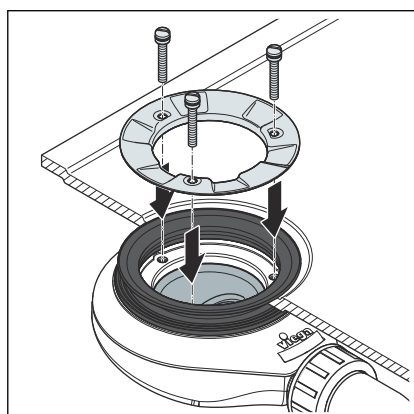
- Cut the seal into two pieces at the sealing bead.

### Inserting seal

Proceed as follows to mount the drain:



- Place the seal on the sealing surface of the drain and push into the retaining groove.

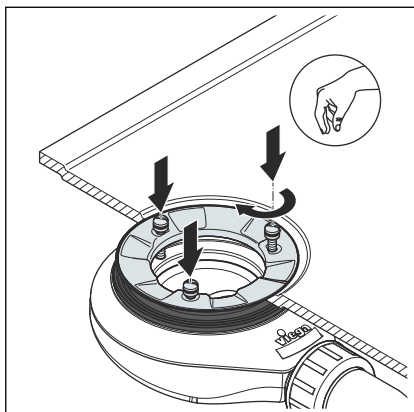


- Position the drain unit with seal under the shower tray.
- Guide the upper part of the seal through the drain opening.

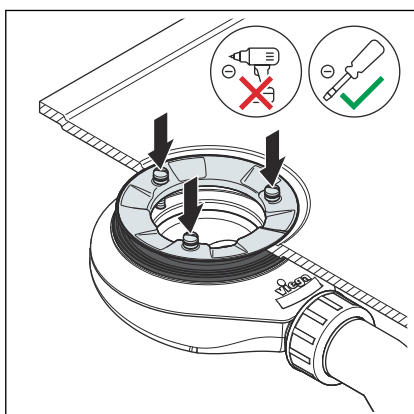
**INFO! If the seal had to be split: Place one part of the seal on the drain casing and the other part in the drain hole.**

- Fit the fixing flange.

## Securing drain

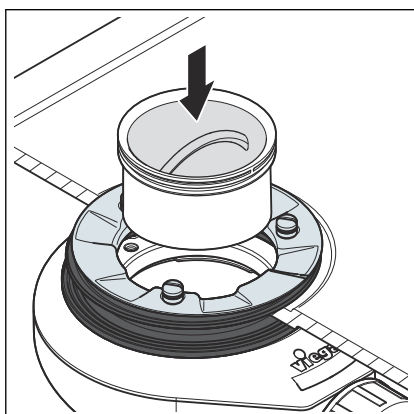


► Insert the screws by hand.

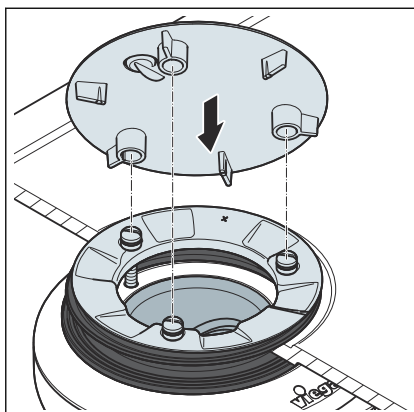


**NOTICE!** Only use a screwdriver, not a cordless screwdriver.

► Tighten the screws evenly.



► Insert the immersion pipe into the odour trap.



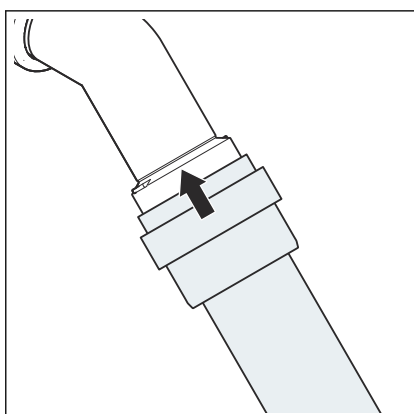
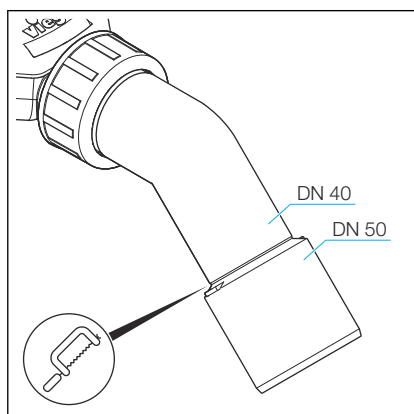
**INFO!** The cover plate is not included in the scope of delivery and must be purchased separately (model 6964.0).

- Press the cover plate onto the three fixing points.

### 3.2.2 Connecting the wastewater system

Requirement:

- The drain unit is installed on the shower tray.
- If the wastewater pipe only has a diameter of 40 mm, cut off drain elbow.



- Align the odour trap in such a way that the drain elbow can be connected to the sewer line free of tension.

Turn the drain at the joints until the required position has been reached.

- Push the wastewater pipe in the drain elbow.

### 3.2.3 Leakage test

The leakage test is only carried out as a visual inspection.

- Check for visible leaks.

### 3.3 Care



#### **NOTICE!** Risk of damage due to unsuitable cleaning agent.

The following cleaning agents can damage chrome-plated surfaces and therefore may not be used:

- Scouring agent
- Abrasive sponges
- Lime, plaster or cement dissolver
- Solvents or other acidic cleaning agents

Use normal soap or a mild cleaning agent for regular care and prevention of lime scale on the rotatable rosette and valve cone. Do not use scouring agent or abrasive objects!

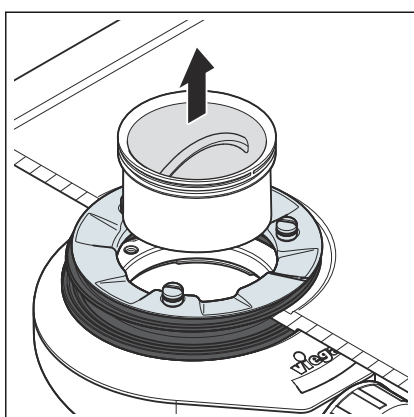
Use household cleaner to remove coarse soiling, also around the drain unit and the odour trap. Rinse the detergent thoroughly with clear water after the prescribed exposure time. There should be no residue on the components.

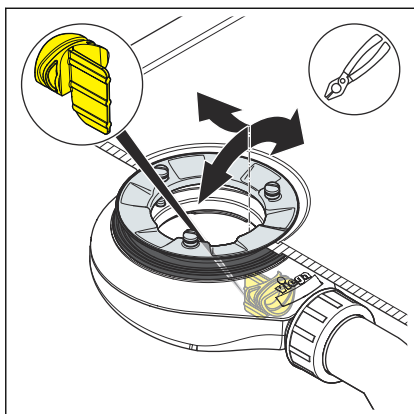
### 3.4 Cleaning the drain



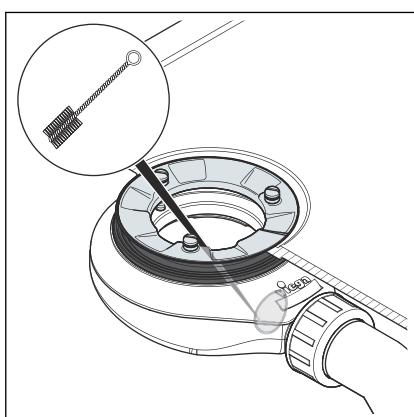
#### **NOTICE!** Be careful not to damage the odour trap when cleaning the drain.

- Remove the cover plate.
- Remove the immersion pipe upwards.

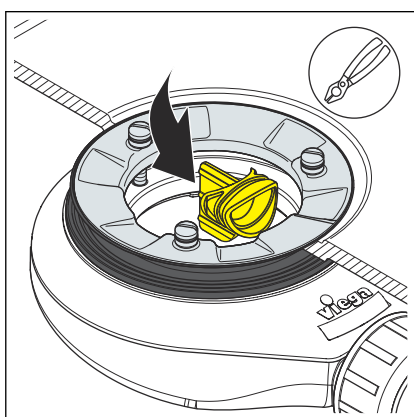




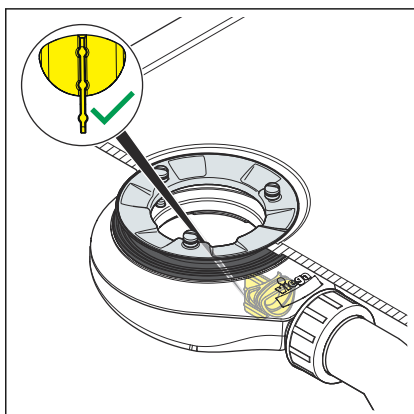
- For free access to the drain pipe:  
Grip the plug on the lug with pliers and pull off.



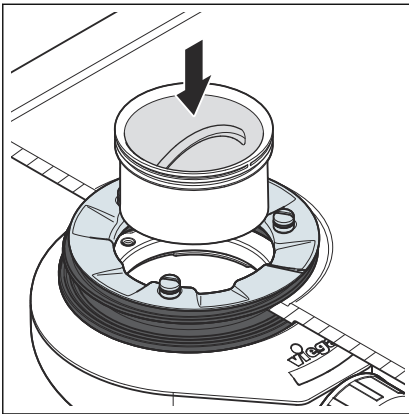
- Clean the drain carefully to avoid damaging the fitting.



- Insert the plug flush with the surface.



- Ensure the plug is correctly positioned. The lug must be positioned vertically.



- Insert the immersion pipe.
- Put on the cover plate.

### 3.5 Disposal

Separate the product and packaging materials (e. g. paper, metal, plastic or non-ferrous metals) and dispose of in accordance with valid national legal requirements.



**Viega GmbH & Co. KG**  
service-technik@viega.de  
viega.com

INT • 2026-03 • VPN240264

