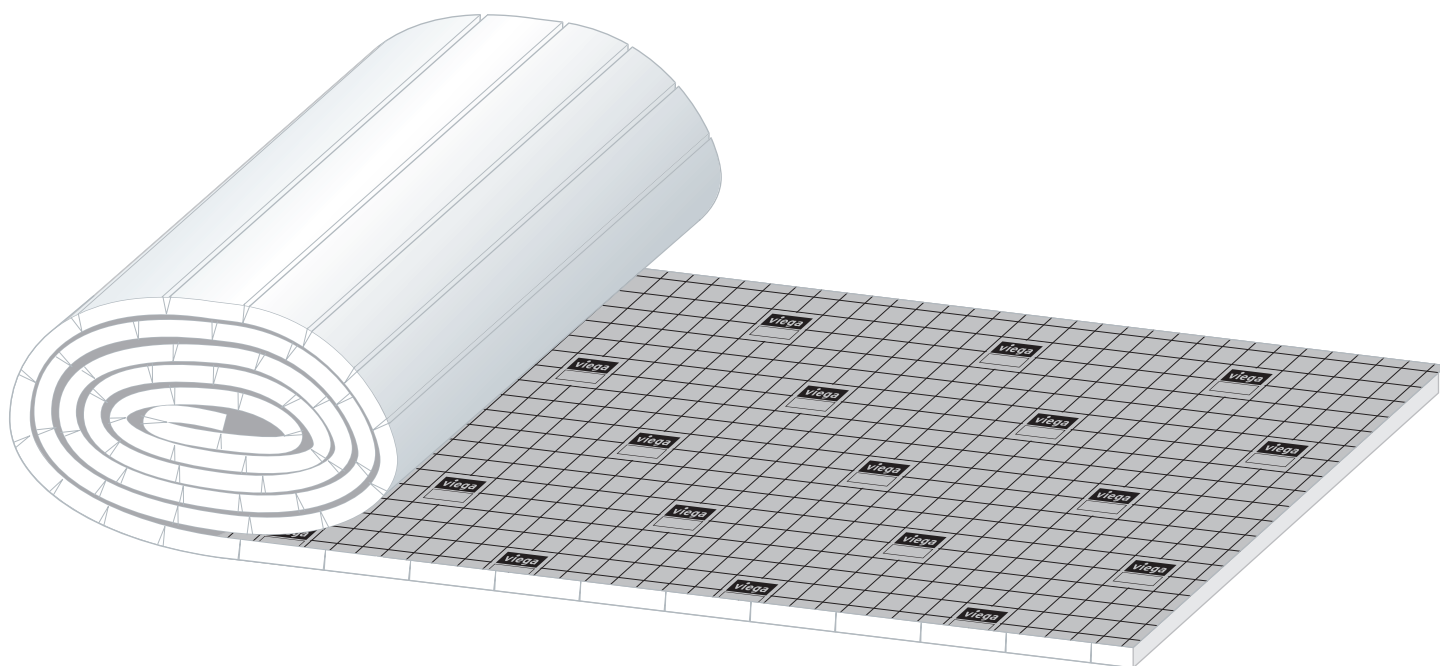


Instructions for Use

Fonterra Tacker-panel, rolled



for underfloor heating system surface, Fonterra pipe d15–20

Model
1261

viega

Table of contents

| | | |
|----------|---|----------|
| 1 | About these instructions for use | 3 |
| | 1.1 Target groups | 3 |
| | 1.2 Labelling of notes | 3 |
| | 1.3 About this translated version | 4 |
| 2 | Product information | 5 |
| | 2.1 Intended use | 5 |
| | 2.2 Product description | 5 |
| | 2.2.1 Overview | 5 |
| | 2.2.2 Accessories | 6 |
| | 2.3 Technical data | 6 |
| 3 | Handling | 7 |
| | 3.1 Transport and storage | 7 |
| | 3.2 General mounting instructions | 7 |
| | 3.3 Assembly | 7 |
| | 3.4 Disposal | 9 |

1 About these instructions for use

Trade mark rights exist for this document; for further information, go to viega.com/legal.

1.1 Target groups

The information in this instruction manual is directed at the following groups of people:

- Heating and plumbing experts and trained personnel

Individuals without the abovementioned training or qualification are not permitted to mount, install and, if required, maintain this product. This restriction does not extend to possible operating instructions.

1.2 Labelling of notes

Warning and advisory texts are set aside from the remainder of the text and are labelled with the relevant pictographs.

**DANGER!**

This symbol warns of possible life-threatening injury.

**WARNING!**

This symbol warns of possible serious injury.

**CAUTION!**

This symbol warns of possible injury.

**NOTICE!**

This symbol warns of possible damage to property.



This symbol gives additional information and hints.

1.3 About this translated version

This instruction for use contains important information about the choice of product or system, assembly and commissioning as well as intended use and, if required, maintenance measures. The information about the products, their properties and application technology are based on the current standards in Europe (e.g. EN) and/or in Germany (e.g. DIN/DVGW).

Some passages in the text may refer to technical codes in Europe/Germany. These should serve as recommendations in the absence of corresponding national regulations. The relevant national laws, standards, regulations, directives and other technical provisions take priority over the German/European directives specified in this manual: The information herein is not binding for other countries and regions; as said above, they should be understood as a recommendation.

2 Product information

2.1 Intended use

Fonterra Tacker panels are suitable for creating an economical heating system in wet construction. The extremely flexible stapling option of the pipes is not bound to any grid and can be optimally adapted to the room geometry.

2.2 Product description

2.2.1 Overview

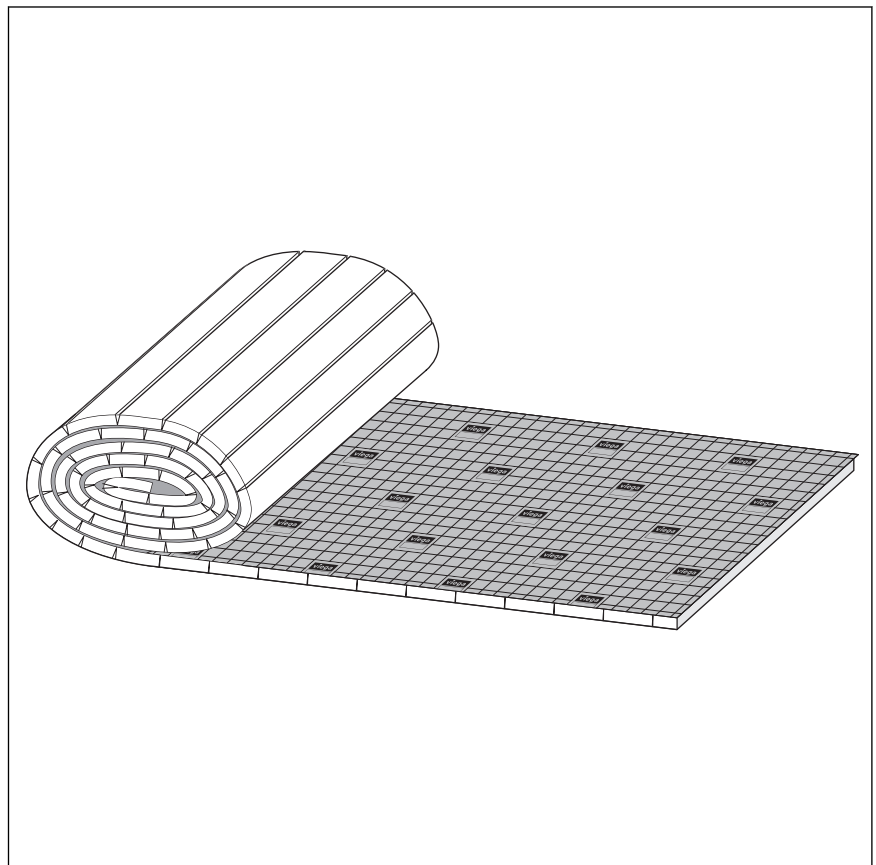


Fig. 1: Fonterra Tacker panel, rolled

System features

- Suitable as a wet system for cement and calcium sulphate screeds
- Easy and fast installation

- Woven fabric film with raster imprint as protection from screed moisture
- With cover layer overlap for masking the connecting edges

2.2.2 Accessories

Recommended accessories:

- Edge insulation strip, model 1270, 1270.1
- Stapler, model 1445.2
- Staple, model 1445
- Object stapler, model 1445.3
- Object staple, model 1245.1
- Protective pipe for joints, model 1404
- Expansion joint profile, model 1275
- Measuring point indication, model 1490
- Screed additive, model 1453.1, 1454 or 1455 (depending on the application)

2.3 Technical data

| Fonterra Tacker | | 25-2 | 30-2 | 30-3 | 35-3 |
|------------------------------------|--------------------------|----------------|--------|--------|--------|
| Material | - | EPS | | | |
| Application type | According to DIN 4108-10 | DES sg | DES sg | DES sm | DES sm |
| Dynamic stiffness | [MN/m ³] | 20 | 20 | 20 | 20 |
| Dimensions (usable size) | [mm] | 10,000 x 1,000 | | | |
| Panel thickness | [mm] | 25 | 30 | 30 | 35 |
| Footfall sound | | 28 | | | |
| Maximum load capacity | [kN/m ²] | 4 | 5 | 3.5 | 3.5 |
| Thermal resistivity R _λ | [m ² K/W] | 0.55 | 0.75 | 0.65 | 0.78 |
| Thermal conductivity | [W/mK] | 045 | 040 | 045 | 045 |
| Fire rating class | - | B2 | | | |

3 Handling

3.1 Transport and storage

Transport

- Transport in complete packing units

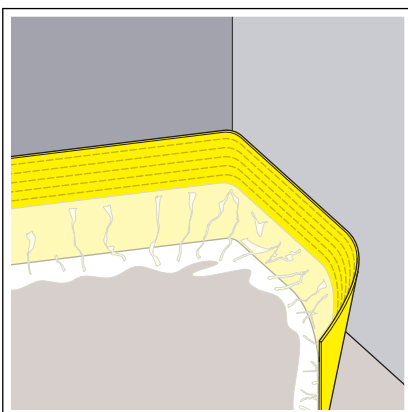
Storage

- Store in a clean and dry place
- Do not load with heavy objects
- Do not remove the components from the packaging until immediately before use

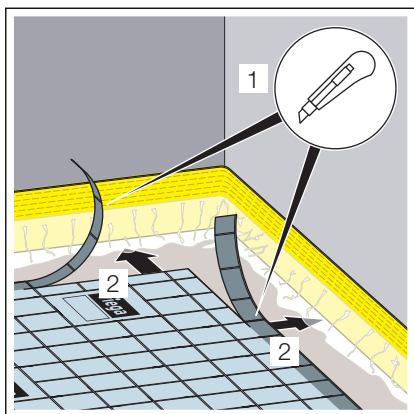
3.2 General mounting instructions

- After laying out and applying the screed, protect from soiling and mechanical load.
- Before applying the screed, carefully seal the wall connections, joints, abutting edges and any damage.
- When using flowing screeds, mask the overlapping system panels with adhesive tape.

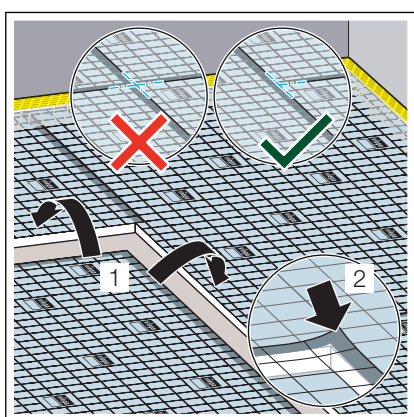
3.3 Assembly



- Attach the edge insulation strip.

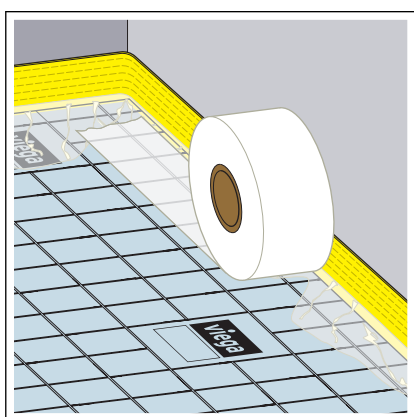


- Cut off the protruding marking foil on the sides of the wall.
- Unfold the tacker panel and lay it.

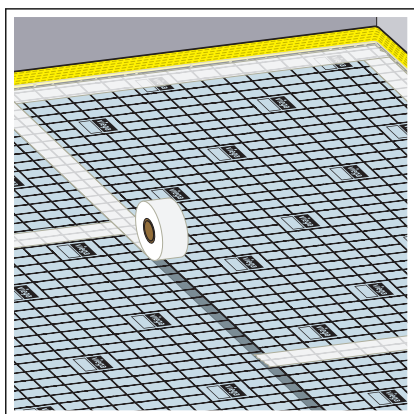


- Place the tacker panels end to end, pressing the overlapping marking foil on.

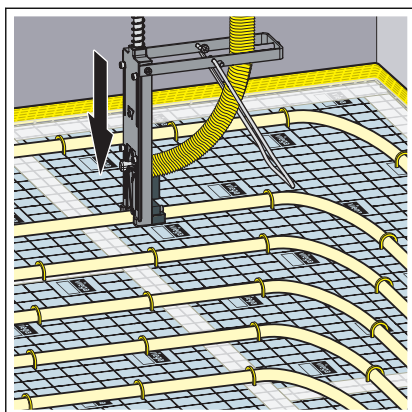
INFO! Avoid cross joints when laying out the tacker panels.



- Stick the edge insulation strip foil onto the tacker panels with adhesive tape without tension.

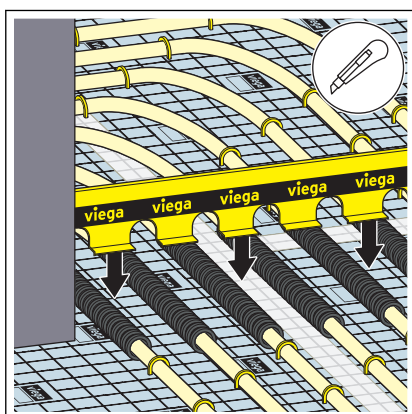


- Tape the abutting edges with the overlapping marking foil.



- Lay the heating pipes using the grid and staple them in place.

Creating expansion joints



- Create an expansion joint using an expansion joint profile.
- Cut a cut-out in the expansion joint profile for each pipe lead-in.
- Guide the heating pipes through a protective pipe for joints (model 1404).

3.4 Disposal

Dispose of the product for collection, recovery or recycling. The product can be recycled materially, as feedstock and thermally.

Waste code for the unused product: **17 06 04** (Insulation material other than that covered by 17 06 01 and 17 06 03)

The user is responsible for the correct coding and designation of the waste produced. If recycling is not possible, dispose of in accordance with local regulations.

When disposing of waste, observe the regulations and laws of the respective countries.



Viega GmbH & Co. KG
service-technik@viega.de
viega.com

INT • 2021-11 • VPN210452

