

Viega fitting holder

Instructions for Use



for sinks

Model
8268.3

en_INT

Year built:
from 03/2009

viega

Table of contents

1	About these instructions for use	4
1.1	Target groups	4
1.2	Labelling of notes	4
1.3	About this translated version	5
2	Product information	6
2.1	Standards and regulations	6
2.2	Intended use	6
2.2.1	Areas of use	6
2.3	Product description	7
2.3.1	Overview	7
2.3.2	Sound protection	7
3	Handling	8
3.1	Assembly information	8
3.1.1	Mounting conditions	8
3.1.2	Installation dimensions	8
3.1.3	Required tools	8
3.2	Assembly	9
3.2.1	Mounting module	9
3.2.2	Rounding off jobs	10
3.3	Disposal	10

1 About these instructions for use

Trade mark rights exist for this document, further information can be found at viega.com/legal.

1.1 Target groups

The information in this instruction manual is directed at the following groups of people:

- Heating and sanitary professionals and trained personnel
- Consumers

It is not permitted for individuals without the abovementioned training or qualification to mount, install and, if required, maintain this product. This restriction does not extend to possible operating instructions.

The installation of Viega products must take place in accordance with the general rules of engineering and the Viega instructions for use.

1.2 Labelling of notes

Warning and advisory texts are set aside from the remainder of the text and are labelled with the relevant pictographs.

**DANGER!**

This symbol warns against possible life-threatening injury.

**WARNING!**

This symbol warns against possible serious injury.

**CAUTION!**

This symbol warns against possible injury.

**NOTICE!**

This symbol warns against possible damage to property.



Notes give you additional helpful tips.

1.3 About this translated version

This instruction for use contains important information about the choice of product or system, assembly and commissioning as well as intended use and, if required, maintenance measures. The information about the products, their properties and application technology are based on the current standards in Europe (e. g. EN) and/or in Germany (e. g. DIN/DVGW).

Some passages in the text may refer to technical codes in Europe/Germany. These should serve as recommendations in the absence of corresponding national regulations. The relevant national laws, standards, regulations, directives and other technical provisions take priority over the German/European directives specified in this manual: The information herein is not binding for other countries and regions; as said above, they should be understood as a recommendation.

2 Product information

2.1 Standards and regulations

The following standards and regulations apply to Germany / Europe. National regulations can be found on the relevant web site of your country at viega.com/standards.

Regulations from section: Fields of application / Mounting conditions

Scope / Notice	Regulations applicable in Germany
suitable masonry walls	EN 1996-1-1
suitable concreted walls	DIN 1045

Regulations from section: Sound protection

Scope / Notice	Regulations applicable in Germany
Fulfilled noise protection requirements	DIN 4109
Fulfilled noise protection requirements	DIN 4109 (additional sheet 2)
Fulfilled noise protection requirements	VDI 4100 SSt I-SSt II

2.2 Intended use

2.2.1 Areas of use

The fitting holder is suitable for mounting on wall constructions pursuant to the regulations in section [☞ „Regulations from section: Fields of application / Mounting conditions“ on page 6](#) and is intended for use in a Steptec pre-wall construction.

2.3 Product description

2.3.1 Overview

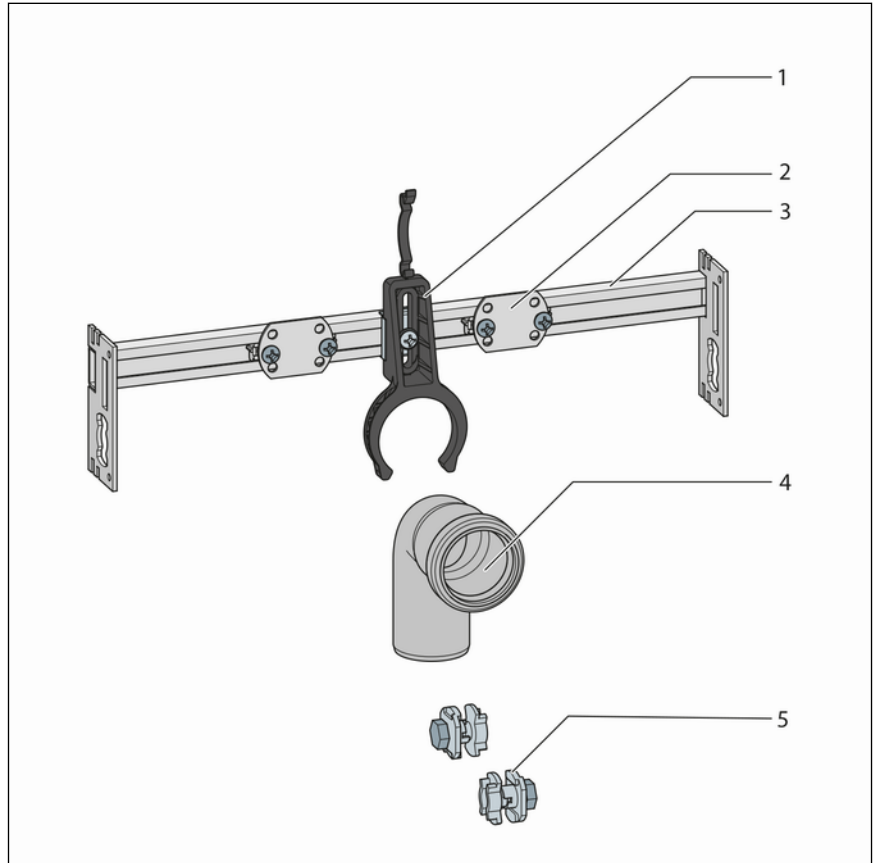



Fig. 1: Scope of delivery

- 1 - mounting bracket for drain elbow
- 2 - connection for wall plates
- 3 - fitting holders
- 4 - drain elbow
- 5 - slot nuts

2.3.2 Sound protection

The fitting holder complies with the noise insulation requirements specified in section  „Regulations from section: Sound protection“ on page 6.

3 Handling

3.1 Assembly information

3.1.1 Mounting conditions

Construction height

With the construction height, the marked height of the upper edge of the finished floor must be observed.

3.1.2 Installation dimensions

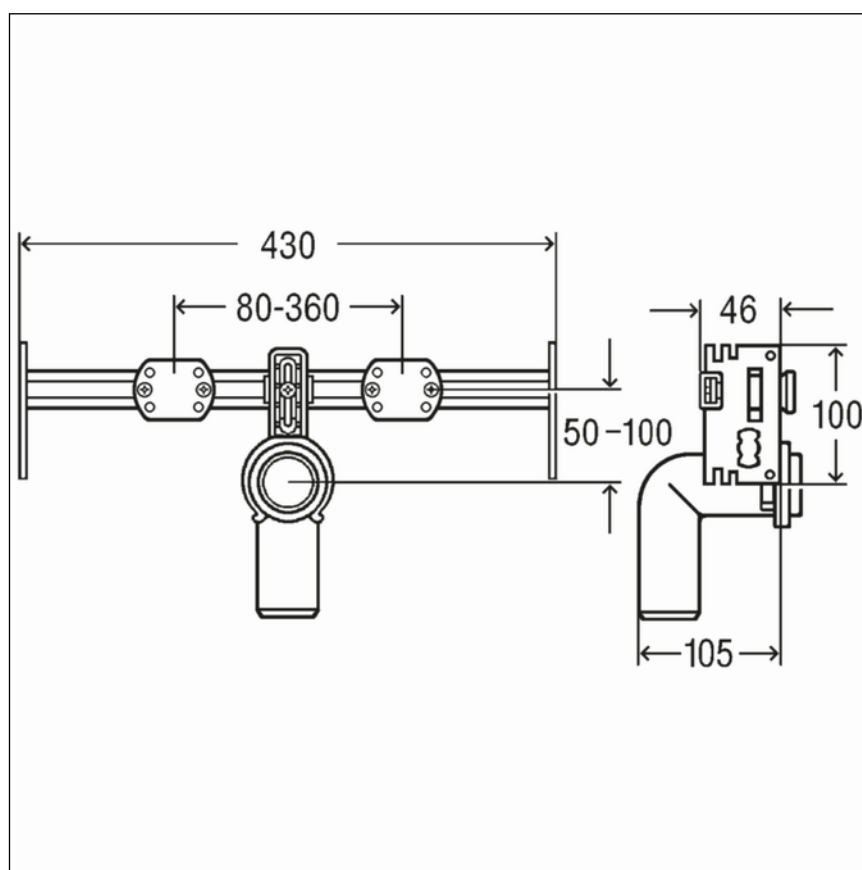


Fig. 2: Dimensions

3.1.3 Required tools

The following tools are required for mounting the fitting holder:

- fork or ring spanner: 17 mm / 19 mm
- Phillips-tip screwdriver

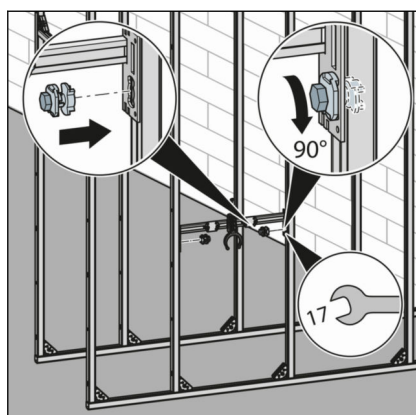
3.2 Assembly

3.2.1 Mounting module

Mounting in Steptec



The two vertical rails, which surround the fitting holder, must be open towards the fitting holder and be at an interval of 430 mm.

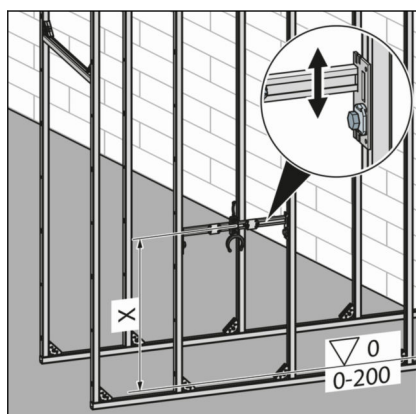


- Secure the module onto the open Steptec rail with the slot nuts supplied:
- Insert the slot nut into the opening of the module.
- Push the slot nut in slightly. Turn by 90°.
- Tighten the slot nut with a ring spanner (SW 17).

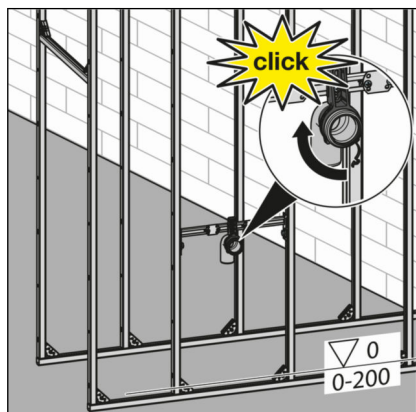
- Tighten the second slot nut in the same way.
 - ⇒ The fitting holder is secured on the rail framework.

- Align the height of the fitting holder.

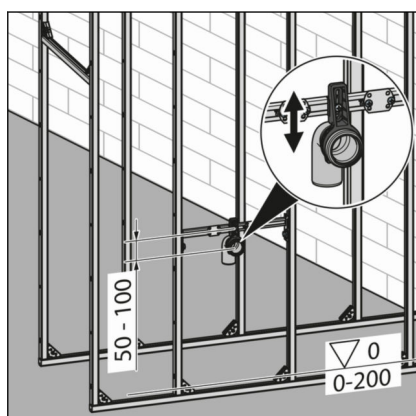
When doing so, observe the instructions of the kitchen manufacturer (X).



- Set the position of the wall plate connections.
- Tighten the screws with a Phillips screwdriver.



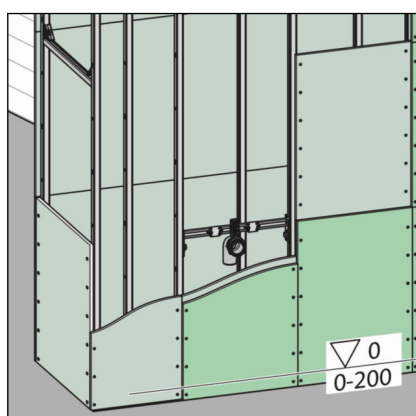
- Lock drain elbow in place.
- Close the bow around the drain elbow.



- Set the position of the drain elbow using the holding device. The distance to the rail is 50–100 mm.
- To do this, loosen the screw.
Align the height of the holding device.
Re-tighten the screw.

- Prepare water connection.

3.2.2 Rounding off jobs



- Single clad pre-wall: Clad with 12.5 mm wide IFGP or 12 mm wide Aqua-KS cladding panels.
When doing so, make sure that no abutting edges converge.
- Grout the abutting edges and joints with a suitable filler.
- Observe the instruction manual for the cladding panels for more information.

3.3 Disposal

Separate the product and packaging materials (e. g. paper, metal, plastic or non-ferrous metals) and dispose of in accordance with valid national legal requirements.