

Instructions for Use

Room thermostat



for single room regulation of the Fonterra radiant heating and cooling systems

Model
1230.3

viega

Table of contents

1	About these instructions for use	3
	1.1 Target groups	3
	1.2 Labelling of notes	3
	1.3 About this translated version	4
2	Product information	5
	2.1 Standards and regulations	5
	2.2 Safety advice	5
	2.3 Intended use	5
	2.4 Product description	5
	2.4.1 Features and functions	5
	2.4.2 Overview and description of component	6
	2.4.3 Technical data	7
3	Handling	9
	3.1 Transport and storage	9
	3.2 Assembly information	10
	3.2.1 Preconditions for mounting	10
	3.3 Assembly	10
	3.3.1 Mounting the room thermostat	10
	3.4 Care tips	12
	3.5 Disposal	13

1 About these instructions for use

Trade mark rights exist for this document; for further information, go to viega.com/legal.

1.1 Target groups

The information in this instruction manual is directed at the following groups of people:

- Heating and plumbing experts and trained personnel
- Qualified electricians
- Operators
- Consumers

Individuals without the abovementioned training or qualification are not permitted to mount, install and, if required, maintain this product. This restriction does not extend to possible operating instructions.

The installation of Viega products must take place in accordance with the general rules of engineering and the Viega instructions for use.

1.2 Labelling of notes

Warning and advisory texts are set aside from the remainder of the text and are labelled with the relevant pictographs.



DANGER!

This symbol warns of possible life-threatening injury.



WARNING!

This symbol warns of possible serious injury.



CAUTION!

This symbol warns of possible injury.



NOTICE!

This symbol warns of possible damage to property.



This symbol gives additional information and hints.

1.3 About this translated version

This instruction for use contains important information about the choice of product or system, assembly and commissioning as well as intended use and, if required, maintenance measures. The information about the products, their properties and application technology are based on the current standards in Europe (e.g. EN) and/or in Germany (e.g. DIN/DVGW).

Some passages in the text may refer to technical codes in Europe/Germany. These should serve as recommendations in the absence of corresponding national regulations. The relevant national laws, standards, regulations, directives and other technical provisions take priority over the German/European directives specified in this manual: The information herein is not binding for other countries and regions; as said above, they should be understood as a recommendation.

2 Product information

2.1 Standards and regulations

The following standards and regulations apply to Germany / Europe and are provided as a support feature.

Regulations from section: Disposal

Scope / Notice	Regulations applicable in Germany
Disposal of electronic components	WEEE-Richtlinie 2012/19/EU

2.2 Safety advice



DANGER! **Danger due to electrical current**

An electric shock can lead to burns and serious injury and even death.

- Work on the electrical system may only be carried out by trained electricians or electrical trade professionals.
- Switch off the mains voltage before carrying out work on electrical parts.
- Installation must be performed in accordance with the applicable national legislation.

2.3 Intended use

The room thermostat is suitable for controlling or monitoring temperatures in offices, living rooms and hotels.

For hot water heating systems, control a maximum of ten normally closed actuators with one room thermostat.

2.4 Product description

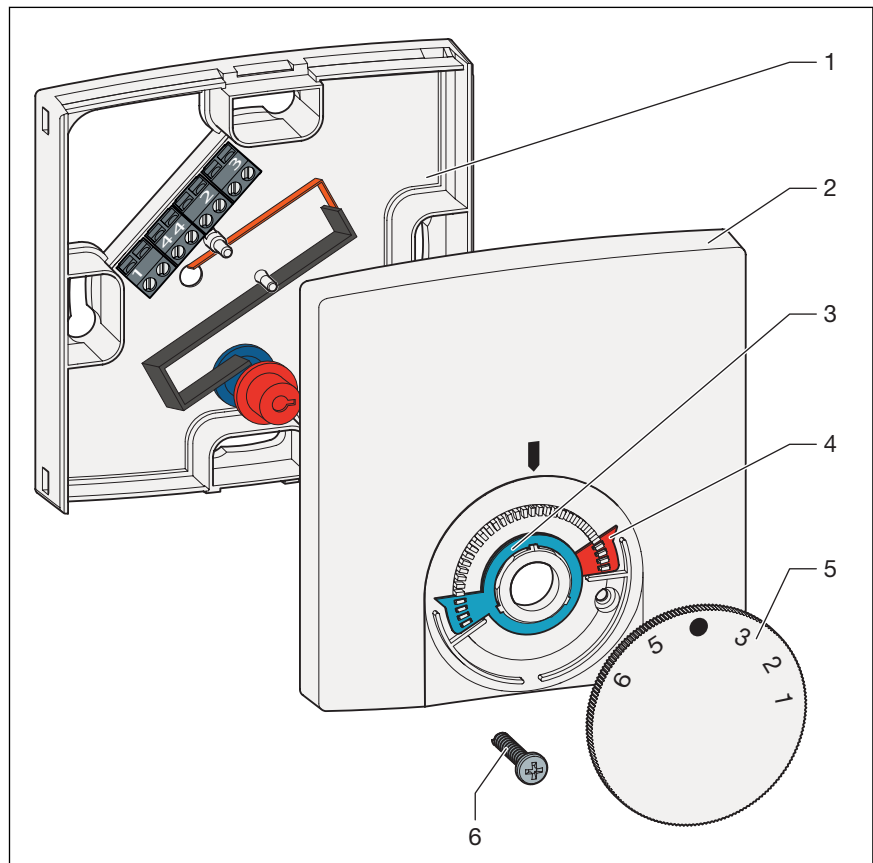
2.4.1 Features and functions

The room thermostat detects the room temperature and transmits the necessary signals for controlling the heating circuits to the base unit via a cable connection.

The supplied limiting rings allow the adjustable setpoint temperature to be limited.

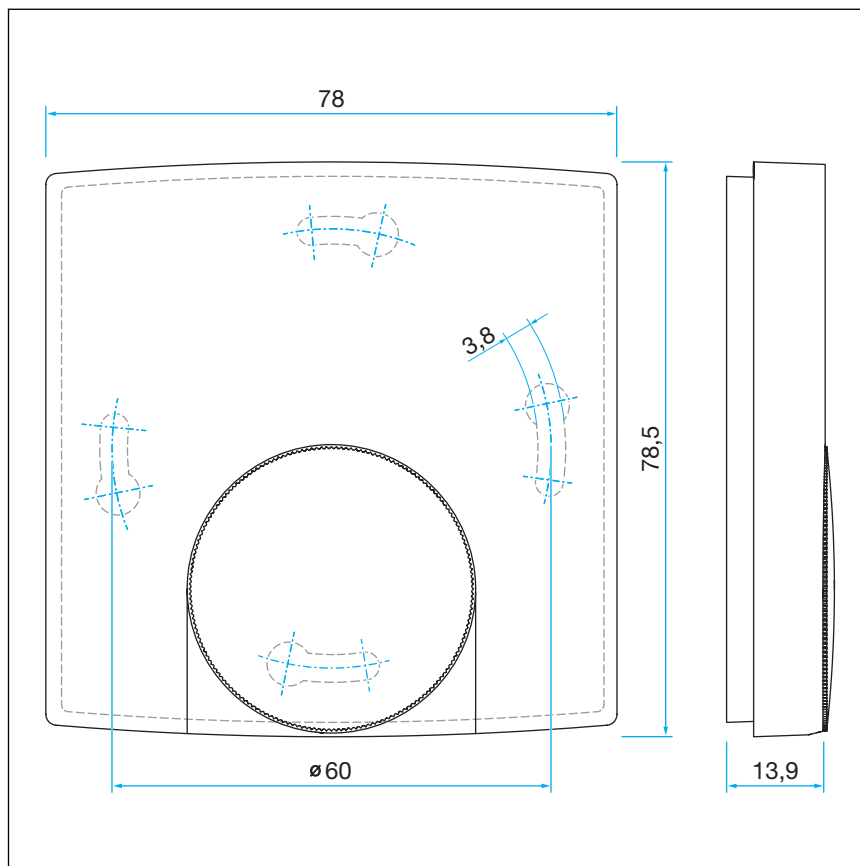
If the temperature setback input (terminal 3) is connected, the room thermostat regulates to a temperature that is approx. 3 K lower (night setback).

2.4.2 Overview and description of component



- 1 Casing, base
- 2 Casing, upper part
- 3 Limiting ring for minimum adjustable temperature value
- 4 Limiting ring for maximum adjustable temperature value
- 5 Rotary knob
- 6 Screw

Installation dimensions

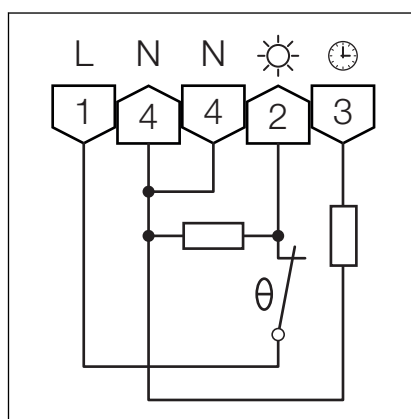


2.4.3 Technical data

Operating voltage	230 V AC, 50 Hz
Switching current	max. 1 A (Ohm resistive load)
Switching capacity	max. 10 actuators
Switching element	Bimetal
Terminal design	five-pole screw terminal
Temperature adjustment range	5–30 °C
Hysteresis	± 0.5 K
Temperature reduction	± 3 K from external switching signal
Adjustment range can be limited and blocked	Yes
Storage temperature	-20–70 °C
Ambient temperature	0–30 °C
relative humidity	max. 95 % non-condensing
IP Code	IP 30

Protection class	II
Housing material	ABS
Housing colour and adjustment knob	RAL 9016, traffic white
Surface of housing and adjustment knob	gloss
CE conformity	in accordance with EN 60730

Connection diagram



Symbol	Explanation
L	Phase (supply and switching voltage)
N	Neutral conductor (supply and consumer)
☀	Heating output (actuator)
🕒	Temperature reduction input (ECO input)

3 Handling

3.1 Transport and storage

Observe the following with transport and storage:

- Avoid heavy blows and vibrations.
- Store components in a clean and dry place.
- Do not remove the components from the packaging until immediately before use.



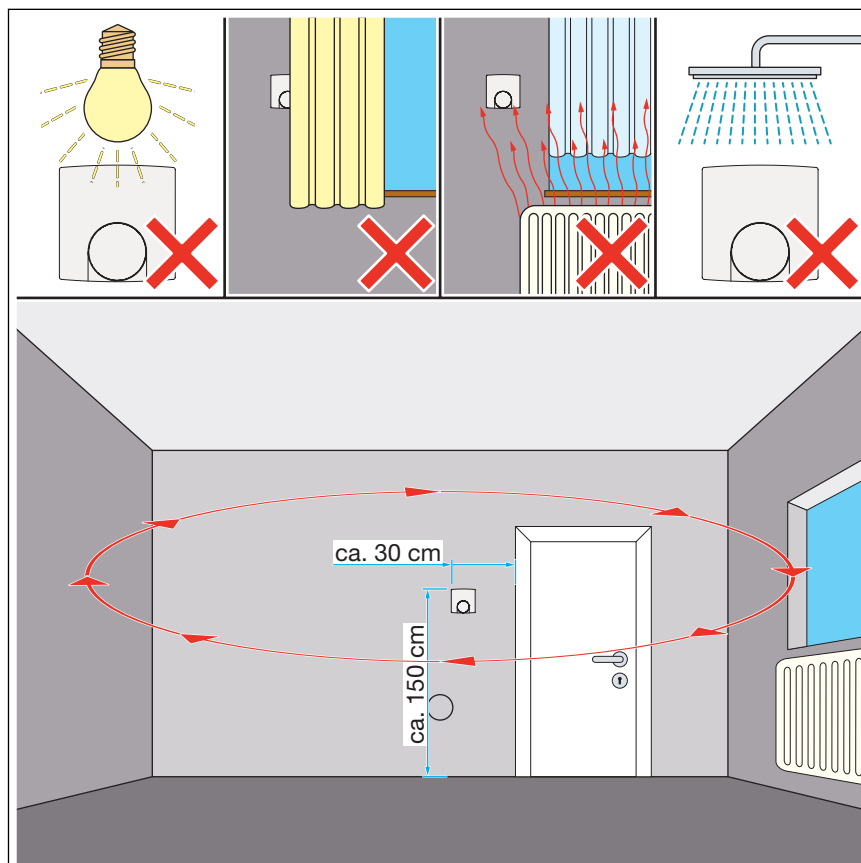
NOTICE!

Replace defective components, do not repair.

3.2 Assembly information

3.2.1 Preconditions for mounting

Room thermostats are mounted in rooms, usually close to doors together with switchboxes. Avoid direct sunlight, humidity and air draughts. The distance to the door is approximately 30 cm.



3.3 Assembly

3.3.1 Mounting the room thermostat

General safety advice

- Only authorised professionals are allowed to open the device when it has been de-energised.
- Before opening, switch off the mains voltage and secure to prevent accidental reactivation. Check to ensure the absence of voltage.
- Respect the performance limits of the device and the ambient conditions.
- In case of emergency, de-energise the entire single room regulation system.



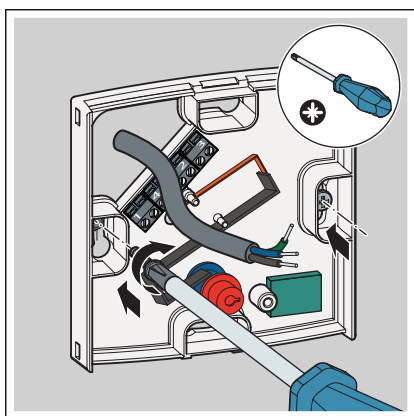
NOTICE!
Faulty control due to contamination!

Too much dirt and dust during installation work can contaminate the contacts of the room thermostat. Dirty contacts can interfere with operation.

- Keep the installation site clean when installing the room thermostat.

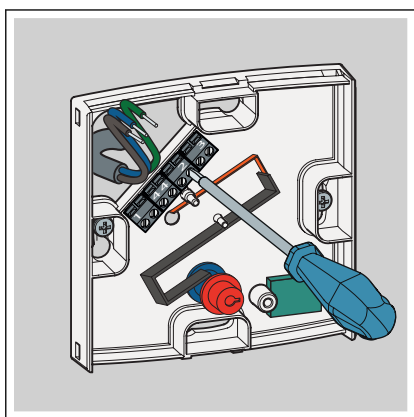


Viega recommends mounting the room thermostat on a concealed socket.

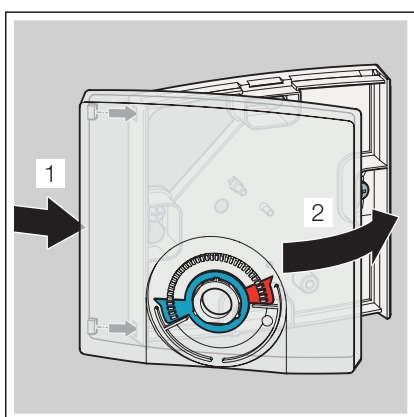


- Fasten the casing base to the wall (non-conductive substrate) or to a concealed socket.

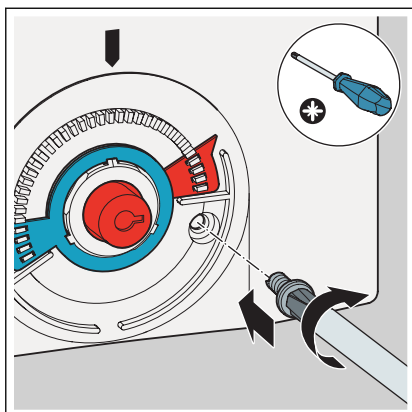
NOTICE! To prevent incorrect control, leave the concealed ventilation slots pointing to the wall exposed.



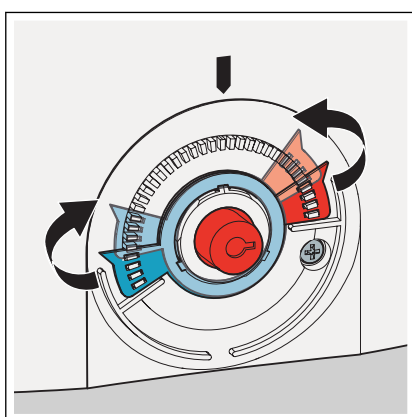
- Connect the cables in accordance with the connection plan, see [‘Connection diagram’ on page 8.](#)



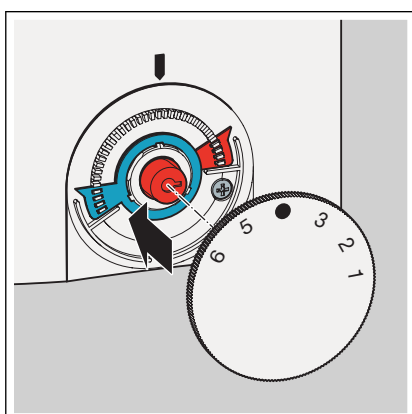
- To close the housing, hook the upper part of the housing on to the left side of the housing and then press it down on the right until it audibly clicks into place.



- Screw the upper part of the housing to the casing base.



- If necessary, limit the setting range of the setpoint temperature with the limiting rings.
 - blue limiting ring (left) = limit minimum temperature value
 - red limiting ring (right) = limit maximum temperature value



NOTICE! Do not place the rotary knob on the room thermostat until the upper part of the housing has been fitted.

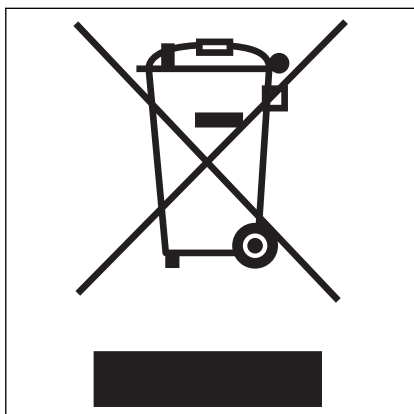
- Mount the rotating knob.

3.4 Care tips

Use a dry or slightly damp, solvent-free, soft cloth for cleaning.

3.5 Disposal

Separate the product and packaging materials (e. g. paper, metal, plastic or non-ferrous metals) and dispose of in accordance with valid national legal requirements.



Electronic components and batteries must not be put in the domestic waste but must be disposed of appropriately in conformity with the applicable directives, see ↗ *'Regulations from section: Disposal'* on page 5.



Viega GmbH & Co. KG
service-technik@viega.de
viega.com

INT • 2021-11 • VPN210619

