

Instructions for Use

Pressgun 6 Plus Press machine with rechargeable battery and Bluetooth interface



For all Viega system press jaws, rings, chains and
(hinged) adapter jaws with PT2 interface, including Pressgun
Press Booster, linking to Viega Tool Service

Model
2295.3

viega

Table of contents

1	About these instructions for use	4
	1.1 Target groups	4
	1.2 Labelling of advisory text and safety symbols	4
	1.3 About this translated version	6
	1.4 Note on use of abbreviated terms	6
2	Product information	8
	2.1 Standards and regulations	8
	2.2 General safety advice for electrical tools	8
	2.3 Intended use	12
	2.3.1 Areas of application	12
	2.4 Product description	12
	2.4.1 Overview	12
	2.4.2 Technical data	15
	2.4.3 Compatible accessories	16
	2.4.4 Operating mode	17
	2.4.5 Control elements and indicators at the press machine	18
3	Handling	22
	3.1 Storage	22
	3.2 Transport	22
	3.3 Charging the battery	23
	3.4 Viega Tool Services	23
	3.5 Commissioning	24
	3.6 Carrying out the pressing process	26
	3.7 Aborting the pressing process	27
	3.8 Troubleshooting	28
	3.9 Care and maintenance	28
	3.9.1 Cleaning the press tools	29
	3.9.2 Performing checks	29
	3.9.3 Inspection and maintenance	29
	3.10 Disposal	31
4	Appendix	32
	4.1 Warranty	32
	4.2 FCC/ISED declaration	32

4.3 Declaration of Conformity	33
4.4 Service partners	35

1 About these instructions for use

Trade mark rights exist for this document; for further information, go to viega.com/legal.

These instructions are a translation of the original operating instructions.

1.1 Target groups

The information in these operating instructions is directed at the following groups of people:

- Heating and plumbing experts and trained personnel

This product must not be used by persons who do not have the aforementioned training or qualifications.

1.2 Labelling of advisory text and safety symbols

Warning and advisory texts are set aside from the remainder of the text and are labelled with the relevant pictographs.



DANGER!

This symbol warns of possible life-threatening injury.



WARNING!

This symbol warns of possible serious injury.



CAUTION!

This symbol warns of possible injury.



NOTICE!







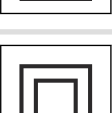
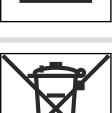
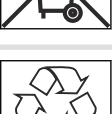
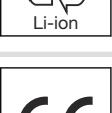

This symbol warns of possible damage to property.



This symbol gives additional information and hints.

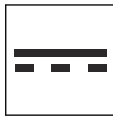
Warning signs and symbols

Pay attention to the warning signs and symbols on the press machine and accessories:

	<p>General hazard symbol</p> <p>Comply with all instructions marked with this symbol to avoid injuries or danger to life.</p>
	<p>Hazard of crushing your hands, fingers, and other body parts</p>
	<p>Hazard of electric shock</p>
	<p>Observe the operating instructions</p> <p>Read the operating and safety instructions carefully prior to the commissioning procedure.</p>
	<p>Wear eye protection</p> <p>Wear safety glasses with side protection to avoid injury.</p>
	<p>Use electrical tools and accessories only in areas protected from moisture.</p>
	<p>Protection class II (double insulated casing)</p>
	<p>The marked product must not be disposed of as household waste.</p>
	<p>Recyclable rechargeable lithium ion batteries, see</p>
	<p>CE marking: Product safety in Europe</p>
	<p>UKCA marking: Product safety for the United Kingdom</p>



FCC marking: This product conforms to Part 15 of the FCC Regulations.



Direct voltage V d.c.



The word mark Bluetooth® and the associated logos are registered trademarks of Bluetooth SIG, Inc. and any use of these marks is under licence.

Other trademarks and trade names are the property of the owner concerned:

- iOS is a registered trademark of Apple Inc.
- Android and the Android logo are registered trademarks of Google Inc.

1.3 About this translated version

This instruction for use contains important information about the choice of product or system, assembly and commissioning as well as intended use and, if required, maintenance measures. The information about the products, their properties and application technology are based on the current standards in Europe (e.g. EN) and/or in Germany (e.g. DIN/DVGW).

Some passages in the text may refer to technical codes in Europe/Germany. These should serve as recommendations in the absence of corresponding national regulations. The relevant national laws, standards, regulations, directives and other technical provisions take priority over the German/European directives specified in this manual: The information herein is not binding for other countries and regions; as said above, they should be understood as a recommendation.

1.4 Note on use of abbreviated terms

For reading comfort, the following abbreviated terms are used in these instructions for use:

Term	Abbreviated form
Viega Tool Services app	App
Viega Tool Services Lite app	
Viega system press machine Pressgun 6 Plus	Press machine

Term	Abbreviated form
Viega system press jaws	Press jaws
Viega system press rings	Press rings
Viega system press tool	Press tool Combinations of for example: <ul style="list-style-type: none"> ■ Press machine and press jaws ■ Press machine and Press Booster ■ Press machine with hinged adapter jaws and press ring or press chain ■ Press machine and press-in attachment tool

Term	Abbreviated form
Lithium ion rechargeable battery	Rechargeable battery
Battery charger	Charger

2 Product information



These instructions for use contain videos

2.1 Standards and regulations

The following standards and regulations apply to Germany / Europe and are provided as a support feature.

Regulations from section: Disposal

Scope / Notice	Regulations applicable in Germany
Disposal of old electrical and electronic appliances	2012/19/EU

2.2 General safety advice for electrical tools

This section contains general safety instructions for numerous different products and electrical tools. Consequently, not every safety instruction will apply to this tool.



WARNING!
Read all safety warnings, instructions, illustrations and specifications provided with this power tool.

Failure to follow all instructions listed below may result in electric shock, fire and/or serious injury.

Save all warnings and instructions for future reference.

The term “power tool” in the warnings refers to your mains-operated (corded) power tool or battery-operated (cordless) power tool.

Work area safety

a) Keep work area clean and well lit.
Cluttered or dark areas invite accidents.

b) Do not operate power tools in explosive atmospheres, such as in the presence of flammable liquids, gases or dust.

Power tools create sparks which may ignite the dust or fumes.

c) Keep children and bystanders away while operating a power tool.

Distractions can cause you to lose control.

Electrical safety

a) Power tool plugs must match the outlet. Never modify the plug in any way. Do not use any adapter plugs with earthed (grounded) power tools. Unmodified plugs and matching outlets will reduce risk of electric shock.

b) Avoid body contact with earthed or grounded surfaces, such as pipes, radiators, ranges and refrigerators.

There is an increased risk of electric shock if your body is earthed or grounded.

c) Do not expose power tools to rain or wet conditions.

Water entering a power tool will increase the risk of electric shock.

d) Do not abuse the cord. Never use the cord for carrying, pulling or unplugging the power tool. Keep cord away from heat, oil, sharp edges or moving parts.

Damaged or entangled cords increase the risk of electric shock.

e) When operating a power tool outdoors, use an extension cord suitable for outdoor use.

Use of a cord suitable for outdoor use reduces the risk of electric shock.

f) If operating a power tool in a damp location is unavoidable, use a residual current device (RCD) protected supply.

Use of an RCD reduces the risk of electric shock.

Personal safety

a) Stay alert, watch what you are doing and use common sense when operating a power tool. Do not use a power tool while you are tired or under the influence of drugs, alcohol or medication.

A moment of inattention while operating power tools may result in serious personal injury.

b) Use personal protective equipment. Always wear eye protection.

Protective equipment such as a dust mask, non-skid safety shoes, hard hat or hearing protection used for appropriate conditions will reduce personal injuries.

c) Prevent unintentional starting. Ensure the switch is in the off-position before connecting to power source and/or battery pack, picking up or carrying the tool.

Carrying power tools with your finger on the switch or energising power tools that have the switch on invites accidents.

d) Remove any adjusting key or wrench before turning the power tool on.

A wrench or a key left attached to a rotating part of the power tool may result in personal injury.

e) Do not overreach. Keep proper footing and balance at all times.

This enables better control of the power tool in unexpected situations.

f) Dress properly. Do not wear loose clothing or jewellery. Keep your hair and clothing away from moving parts.

Loose clothes, jewellery or long hair can be caught in moving parts.

g) If devices are provided for the connection of dust extraction and collection facilities, ensure these are connected and properly used.

Use of dust collection can reduce dust-related hazards.

h) Do not let familiarity gained from frequent use of tools allow you to become complacent and ignore tool safety principles.

A careless action can cause severe injury within a fraction of a second.

Power tool use and care

a) Do not force the power tool. Use the correct power tool for your application.

The correct power tool will do the job better and safer at the rate for which it was designed.

b) Do not use the power tool if the switch does not turn it on and off.

Any power tool that cannot be controlled with the switch is dangerous and must be repaired.

c) Disconnect the plug from the power source and/or remove the battery pack, if detachable, from the power tool before making any adjustments, changing accessories, or storing power tools.

Such preventive safety measures reduce the risk of starting the power tool accidentally.

d) Store idle power tools out of the reach of children and do not allow persons unfamiliar with the power tool or these instructions to operate the power tool.

Power tools are dangerous in the hands of untrained users.

e) Maintain power tools and accessories. Check for misalignment or binding of moving parts, breakage of parts and any other condition that may affect the power tool's operation. If damaged, have the power tool repaired before use.

Many accidents are caused by poorly maintained power tools.

f) Keep cutting tools sharp and clean.

Properly maintained cutting tools with sharp cutting edges are less likely to bind and are easier to control.

g) Use the power tool, accessories and tool bits etc. in accordance with these instructions, taking into account the working conditions and the work to be performed.

Use of the power tool for operations different from those intended could result in a hazardous situation.

h) Keep handles and grasping surfaces dry, clean and free from oil and grease.

Slippery handles and grasping surfaces do not allow for safe handling and control of the tool in unexpected situations.

Battery tool use and care

a) Recharge only with the charger specified by the manufacturer.

A charger that is suitable for one type battery pack may create a risk of fire when used with another battery pack.

b) Use power tools only with specifically designated battery packs.

Use of any other battery packs may create a risk of injury and fire.

c) When battery pack is not in use, keep it away from other metal objects, like paper clips, coins, keys, nails, screws or other small metal objects, that can make a connection from one terminal to another.

Shorting the battery terminals together may cause burns or a fire.

d) Under abusive conditions, liquid may be ejected from the battery; avoid contact. If contact accidentally occurs, flush with water. If liquid contacts eyes, additionally seek medical help.

Liquid ejected from the battery may cause irritation or burns.

e) Do not use a battery pack or tool that is damaged or modified.

Damaged or modified batteries may exhibit unpredictable behaviour resulting in fire, explosion or risk of injury.

f) Do not expose a battery pack or tool to fire or excessive temperature.

Exposure to fire or temperature above 130 °C may cause explosion.

g) Follow all charging instructions and do not charge the battery pack or tool outside the temperature range specified in the instructions.

Charging improperly or at temperatures outside the specified range may damage the battery and increase the risk of fire.

Service

a) Have your power tool serviced by a qualified repair person using only identical replacement parts.

This will ensure that the safety of the power tool is maintained.

b) Never service damaged battery packs.

Service of battery packs should only be performed by the manufacturer or authorized service providers.

Basic safety rules

a) Use the correct tools.

Only use the tools and accessories listed in the operating instructions. Do not use electric tools for purposes or work they are not intended for.

b) Secure the workpiece.

Use clamping devices or a vice to hold the workpiece. It is held more securely than it would be by hand and both your hands are free to operate the tool.

c) Leave protective equipment in place.**d) Hand-held devices must not to be used as stationary equipment.****e) Do not hold the device in the compression area.****f) Do not hold any body parts or foreign objects between the press jaws when activating the pressing cycle. Do not hold the jaw lever during the pressing cycle. Danger of crushing!**

There is a danger of crushing the Fingers and hands.

g) Observe the safety instructions for the cleaning and corrosion protection agents used by you.**h) Ensure that the workpiece is not under tension.**

2.3 Intended use

2.3.1 Areas of application

The Pressgun 6 Plus is intended for pressing press connectors into the respective piping systems. In combination with Viega system press jaws, chains or rings, the press tool is suitable for use with all Viega plumbing and heating installation systems up to and including dimension 108, as well as Megapress press connectors in dimensions $\frac{3}{8}$ to 2 inches.

In combination with the Pressgun Press Booster (model 4296.2XL) it is possible to press Megapress XL connectors up to size 4 inches or 114.3 mm.

2.4 Product description

2.4.1 Overview

Scope of delivery

- Pressgun 6 Plus
- Lithium ion rechargeable battery (18 V / 2.5 Ah)
- Battery charger
- Transport case with case inlay (with space saver for an additional battery)
- Operating instructions for press machine
- Operating instructions for charger and rechargeable battery

Pressgun 6 Plus

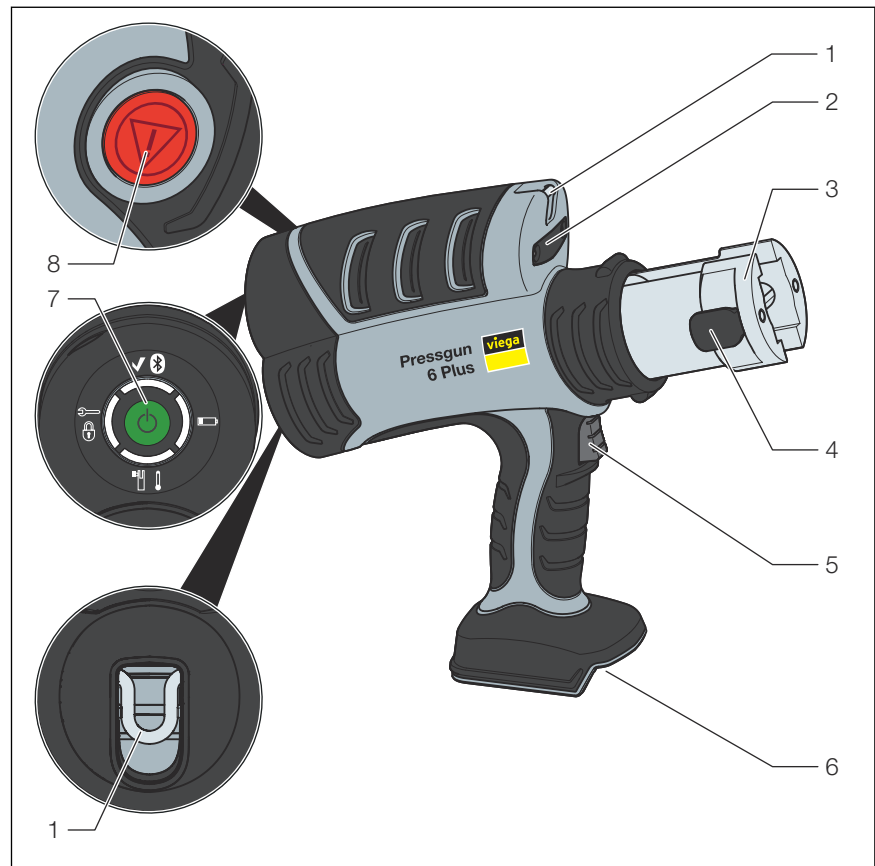


Fig. 1: Overview

- 1 Bracket
- 2 LED light
- 3 Rotatable cylinder head with press jaw fixture
- 4 Retaining bolt
- 5 Start button
- 6 Rechargeable battery compartment
- 7 On/Off button
- 8 Reset button

Lithium ion rechargeable battery

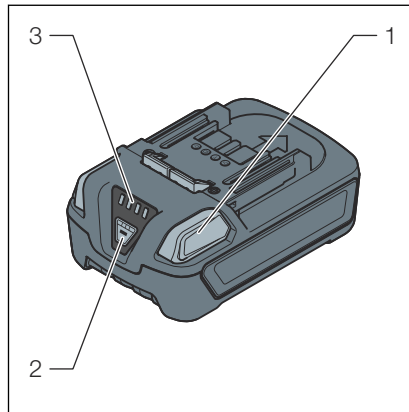


Fig. 2: Control elements on the lithium ion rechargeable battery

- 1 Rechargeable battery release
- 2 Button for checking charging status
- 3 Charging status indicator

Battery charger

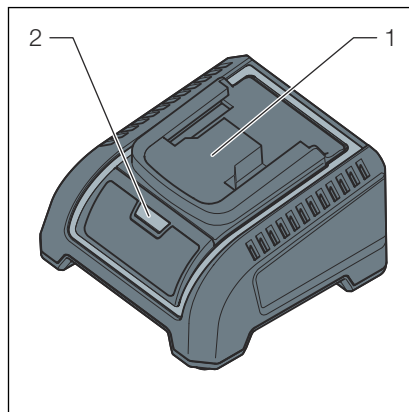
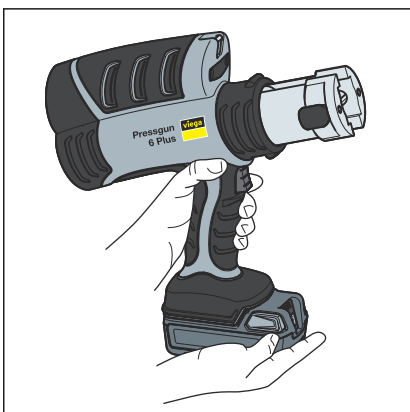


Fig. 3: Control elements on the battery charger

- 1 Rechargeable battery compartment
- 2 Status LED

Gripping surfaces on the press machine



- To prevent injury during the pressing, hold the press machine at the gripping surface provided as shown.

Data on the specification plate

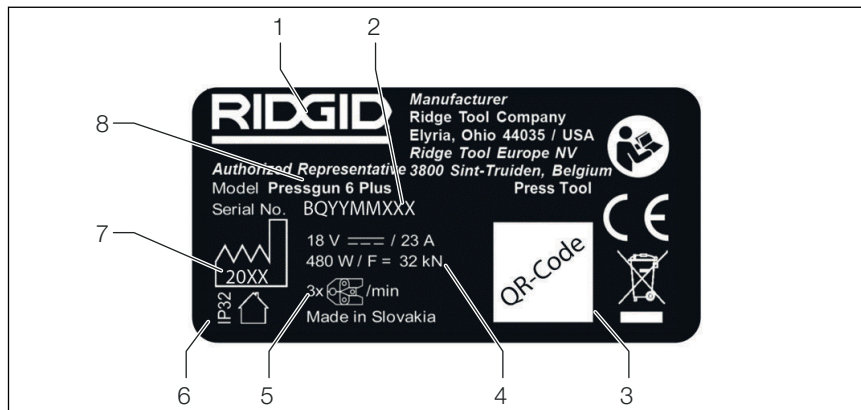


Fig. 4: Specification plate

- 1 Manufacturer logo with address
- 2 Serial number
- 3 QR code
- 4 Voltage (V), current (A), nominal output (W), nominal power (kN)
- 5 Maximum three pressings per minute
- 6 Protection type
- 7 Year of manufacture
- 8 Type designation for the press machine

For explanations of the symbols, see [Chapter 1.2 'Labelling of advisory text and safety symbols'](#) on page 4.

2.4.2 Technical data

Press machine

Motor	Brushless	
Voltage	18 V DC	
Current	23 A	
Nominal output	480 W	
Thrust on piston	32 kN	
Switch-on duration	Maximum three pressings per minute	
Bluetooth 5, range	≤ 10 m	
Sound pressure on ear	< 74.5 dB(A)	1)
Oscillation level	< 1.13 m/s ²	2)
Permitted operating temperature	-10–50 °C	
Permitted storage temperature	0–45 °C	
Protection type	IP32	

1) measurement uncertainty 3 dB(A)

2) measurement uncertainty 1.5 m/s²

Permitted humidity	0–80 %
Protection class	II
Dimensions (L x W x H)	300 x 300 x 70 mm
Weight (without rechargeable battery, without press jaws)	3150 g
Manufacturer	Ridge Tools Europe NV 3800 Sint-Truiden Belgium

¹⁾ measurement uncertainty 3 dB(A)

²⁾ measurement uncertainty 1.5 m/s²



NOTICE!

Wear hearing protection.

The specified oscillation emission value was measured in accordance with a standardised test procedure and can be used to compare the machine with another device. The specified oscillation emission value can also be used for an initial assessment of the intermittent duty.

When the device is actually being used, the oscillation emission value may differ from specified value, depending on the manner in which the device is used. Depending on the actual conditions of use (intermittent duty), it may be necessary to specify safety measures to protect the user.



Electromagnetic compatibility

The press machine complies with the applicable standards with respect to electromagnetic compatibility. The possibility of disturbing other devices cannot, however, be ruled out.

2.4.3 Compatible accessories

For the press tools, use only original accessories (e.g. rechargeable batteries), as only these accessories have been specifically developed, tailored, tested, and approved for use with Viega press connector systems. Viega does not check whether accessories from manufacturers other than those mentioned are suitable for use with the press tools.

Name	Model	Note
Rechargeable battery 2.5 Ah / 18 V	2488.63	In combination with battery charger model 2488.65
Rechargeable battery 5 Ah / 18 V		Generation Pressgun 6
Rechargeable battery 2 Ah / 18 V	2488.1	In combination with battery charger model 2488.3
Rechargeable battery 4 Ah / 18 V		Generation Pressgun 4B / 5
Makita lithium ion rechargeable battery 18 V (LXT)	—	In combination with Makita battery charger
RIDGID lithium ion rechargeable battery 18 V	—	In combination with Ridgid or Viega battery chargers
mains adapter 230 V	2488.2	—

2.4.4 Operating mode

The Pressgun 6 Plus is an electro-hydraulically operated press machine. Pressing is started by pressing the Start button on the operational press machine. The hydraulically operated roller head moves forwards into the press jaw and closes it with a power of 32 kN.

The Pressgun 6 Plus operates with a voltage of 18 V DC.

The press machine is equipped with wireless Bluetooth® technology. Smartphones or tablets (referred to below as "end devices") with either iOS or Android operating systems are required for data transfer. For more information, see [Chapter 3.4 'Viega Tool Services'](#) on page 23.

Adjustable operation modes

Two different operation modes can be selected via the app:

	Viega AutoCycle	Viega SmartCycle
1	Keep the Start button pressed until the roller head has entered the press jaw slightly.	
2	As soon as the press jaw closes, the Start button can be released.	The press machine stops. The correct seating of press connector and press tool can now be checked. To resume the pressing, press the Start button again.
3	The pressing is made.	
4	The roller head then returns to its starting position.	

2.4.5 Control elements and indicators at the press machine

Status LEDs

The status LEDs on the press machine indicate various operating statuses.

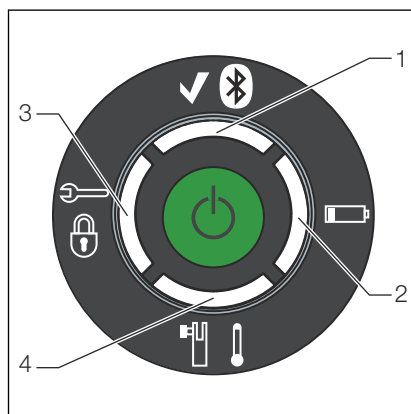






Fig. 5: Control element with status LEDs

- 1 Status
- 2 Rechargeable battery
- 3 Press tool
- 4 Temperature or bolts

Colour of segment	[1] Status	[2] Rechargeable battery	[3] Press tool	[4] Temperature or bolts
Green 	Operational	Operational	Operational	Operational

Colour of segment	[1] Status	[2] Rechargeable battery	[3] Press tool	[4] Temperature or bolts
Red 	Have the press machine serviced.	Blocked	Blocked	Blocked
Yellow 	State can be remedied by the user	Have the press machine serviced.	Have the press machine serviced.	Have the press machine serviced.
Blue 	Mode	Operating mode	Operating mode	Operating mode

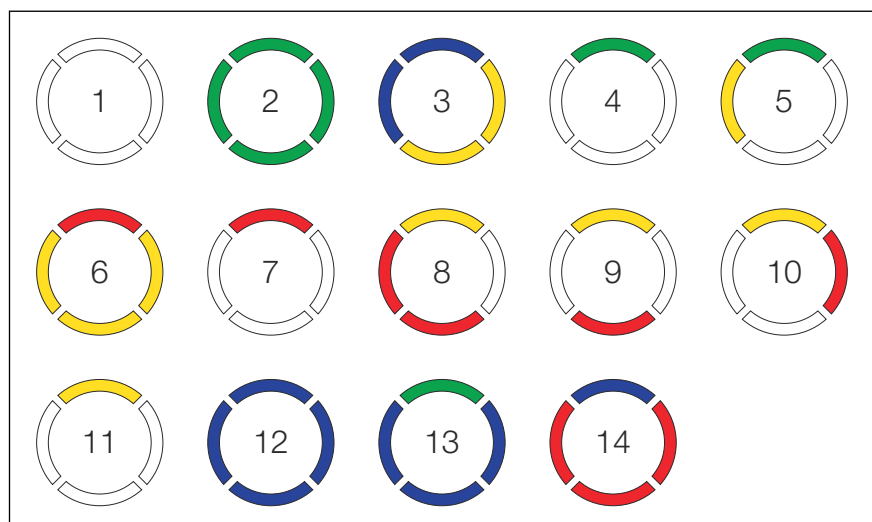


Fig. 6: Colour combinations of status LEDs

	Status / description of problem	Solution
1	The press machine is switched off.	—
2	The press machine is ready for operation.	—
3	The internal memory of the press machine is almost full to capacity. The data on the last pressings (maximum 1000) were unable to be saved online.	Connect the press machine connected to the app using Bluetooth®. Connect the end device to the Internet to transmit the data.
4	The press machine is in standby mode.	—
5	The number of pressings per service interval has been reached (40000).	Send the press machine to your nearest service partner for inspection and maintenance. Note: The safety shutdown occurs after a further 2000 pressings.
6	The press machine has made 42000 pressings. The safety shutdown is activated.	Send the press machine to your nearest service partner for inspection and maintenance.

	Status / description of problem	Solution
7	The press machine has a fault.	Remove and re-insert the rechargeable battery. If the LED continues to illuminate, send the press machine to your nearest service partner for inspection and maintenance.
8	Press machine and/or rechargeable battery is outside the recommended temperature range.	Bring the press machine to the recommended temperature range in a well-ventilated environment (-5°C to 50°C).
9	Retaining bolt not correctly closed.	Slide the retaining bolt in fully (up to the lock).
10	Battery charge too low.	Charge or replace the battery.
11	The press machine is connected (Service mode).	—
12	Briefly illuminated, Viega SmartCycle is activated.	Switch on/off the function in the app.
13	The Bluetooth connection is established.	—
14	The press machine is locked (usage lock).	Deactivate the usage lock using the app.

On/Off button

Use the On/Off button to switch the press machine on and off.



The press machine switches off automatically after ten minutes if it is not used after switch-on.

Start button

Use the Start button to trigger a pressing; see [Chapter 3.6 'Carrying out the pressing process'](#) on page 26.

Retaining bolt

The retaining bolt locks the press attachments in the press jaw fixture. The retaining bolt is electronically monitored and must be fully inserted to be able to start a pressing.

Reset button

If a malfunction occurs and the press machine fails to complete the pressing, press the Reset button to return the roller head to its initial position; see [Chapter 3.7 'Aborting the pressing process'](#) on page 27.

Rotatable cylinder head

The press jaw fixture in the front part of the cylinder head can be rotated 360° without a stop to allow for flexible alignment of the press jaws to the pressing point.

LED light

The press machine is equipped with a bright LED lamp. The LED lamp illuminates as soon as the Start button is pressed.

Bracket

The press machine has two brackets, which can be used for example to attach a shoulder strap.

3 Handling

3.1 Storage



DANGER!
Risk of crushing!

Risk of getting your fingers and hands crushed.

- Store the press machine out of reach of children and unauthorised persons.

Protect the press machine and accessories from the following external influences:

- Impacts
- Moisture and humidity
- Dust and dirt
- Frost and extreme heat
- Chemical solutions and vapours

3.2 Transport



NOTICE!
Risk of damage to and malfunctioning of the press machine due to improper use!

Use a transport case for storage and transport.



NOTICE!
Transporting and storing the rechargeable battery

Observe the manufacturer's instructions for transport and storage.

Observe the following instructions for transport of the press machine:

- Transport the press machine in a dry, frost-free place in the case provided.

3.3 Charging the battery



Directions for using the charger and the lithium-ion batteries can be found in the accompanying instructions.

- Charger, model 2488.65
- Lithium ion rechargeable battery 2.5 Ah / 5 Ah, model 2488.63

3.4 Viega Tool Services



You can find information on registering your press machine in the Viega Tool Services chapter.

The full range of functions of Viega Tool Services is not available in all markets.

- If Viega Tool Services is not available in your market, go to the section **Viega Tool Services Lite**.

The press machine can be connected to a mobile end device via Bluetooth® and used with the *Viega Tool Services* app.

The app is available in the respective App Stores:

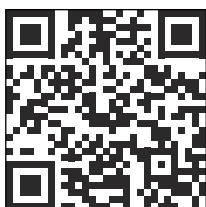
- Apple App Store (iOS)
- Google Play Store (Android)

The app offers the following features, for example:

- View press machine data (number of pressings, machine status)
- Apply settings (e.g. operation mode)
- Locate press machine (determine location)

You can find additional information at viega.de/viega-tool-services.

Register at Viega Tool Services



In order to use the press machine with the app, you will first have to register once at *Viega Tool Services* and set up an operation.

- Launch tool-services.viega.de in the browser or scan the QR code.
- Click on [Register now] and follow the next steps.
 - ◇ Once you have registered, you will receive your access data.

Registering the press machine

The procedure for registering the press machine in the browser via the web application will now be described using an example. You can also register the press machine via the app.

Requirements:

- You have administrator rights.
- You have the registration code on the back of the printed operating instructions.
- Go to *tool-services.viega.de* in the browser.
- Sign in using your access data.
- On the left-hand site navigation area, click on [OPERATION] and then select the entry [Tools].
 - The list containing all tools is displayed.
- Right-click on [Add tool] button and follow the next steps.
- Complete the process by clicking [REGISTER].
 - The press machine will then appear in the tool list.

Viega Tool Services Lite

Registering the press machine

- Download the Viega Tool Services Lite app from the App Store.
- Open the app.
- Press the Plus button.
- Select the press machine.
- Enter the registration code from the back of the printed operating instructions.
 - The press machine is now registered and can be used with the app.

3.5 Commissioning

 Link to the video:

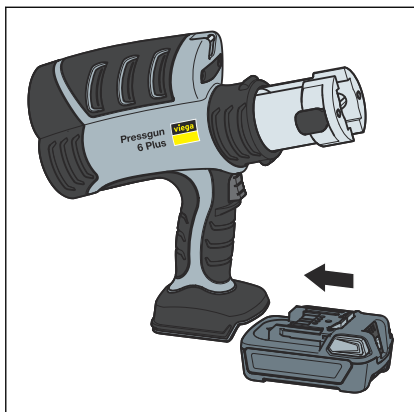
Commissioning and pressing



CAUTION! **Risk of crushing by operating the press machine without press jaws!**

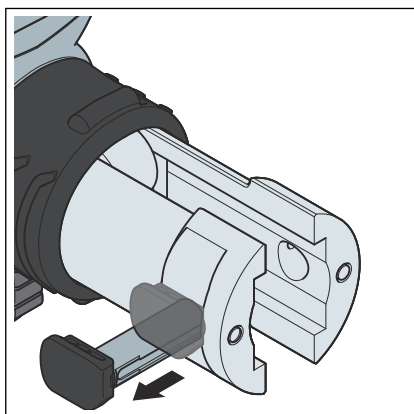
If no press jaw is inserted, your fingers may get caught in the danger zone and get crushed when the press machine starts up.

- Do not use the press machine without a press jaw inserted.
- Do not put your fingers in the danger zone.

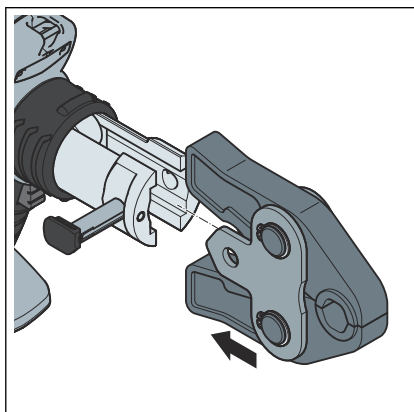


- Check the scope of delivery.
- Insert the fully charged lithium ion rechargeable battery into the mounting bracket at the handle.

INFO! Press the charging status button to check the battery charge level. The display extinguishes as soon as the button is released again.

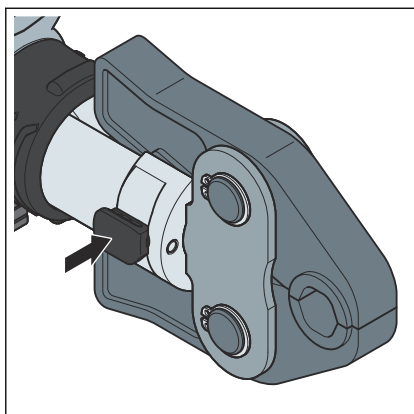


- Pull out the retaining bolt at the press jaw fixture.



- Insert the press jaw in the press jaw fixture of the cylinder head.

INFO! The figures show the typical use of a press jaw. Use the hinged adapter jaws in the same way.



- Slide the retaining bolt in as far as it will go.
- Press the On/Off button.
 - ◻ The green LED is lit. The press machine is ready for operation.

3.6 Carrying out the pressing process



CAUTION! Risk of crushing due to improper use!

- Do not start the press machine without a press jaw inserted.
- Do not reach into the area of the moving roller head or press jaws during pressing.
- Hold the press machine on the gripping surfaces.



NOTICE! Risk of property damage due to damaged press jaws!

Using a damaged, incorrectly dimensioned, or worn press jaw may result in an incorrect pressing.

- Check the press jaw before use for any visible defect, and if applicable replace the press jaw.
- Only use press jaws that are the right dimension and are compatible with the press connector system.

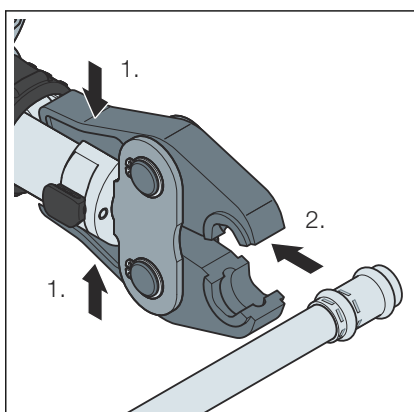
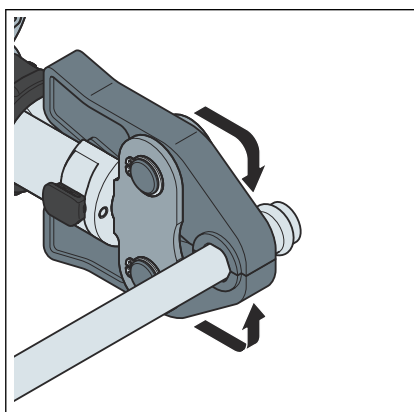
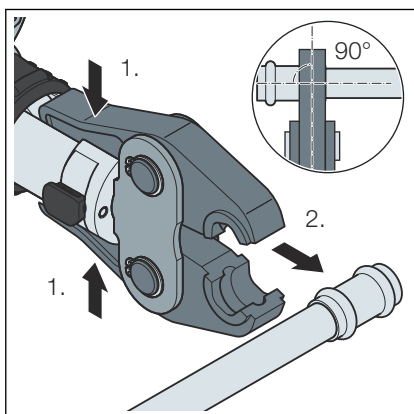


The press jaw must be able to lock properly during pressing.

- Ensure that there is enough space on the press point.
- Keep the press jaw contour and the area around the press point free from dirt and any objects that could hinder complete pressing.

Requirements:

- The press machine is ready for operation, the green LED is illuminated.
- A press jaw has been correctly inserted.
- Check whether the nominal diameter of the press connector matches the nominal diameter of the press jaw.
- Fit the press machine with the press jaw inserted accurately and at a right angle to the pipe axis on the press connector.



- Keep the Start button pressed until the automatic process starts.
 - Once the press machine creates the press force, it automatically completes pressing from this point until the entire press stroke has been carried out.

- After full retraction of the roller head, open the press jaw and loosen it from the press connector.



If a malfunction occurs and the press machine fails to complete the pressing, press the Reset button to return the roller head to its initial position.

Then remove the incompletely pressed press connector from the installation and use a new press connector.

3.7 Aborting the pressing process

A pressing can be interrupted in the following situations:

- The roller head has not yet touched the press jaw. The press machine has not yet built up any pressing force.
- There is a malfunction. The press machine cannot complete the pressing.
- Release the Start button to interrupt the pressing.
- Actuate the Reset button to return the roller head to its initial position.

3.8 Troubleshooting

In case of malfunction, check the following potential causes:

Fault	Cause	Solution
The press machine is not ready for operation after the On/Off button is pressed.	The battery is fully discharged or faulty.	Use a fully charged battery.
	The battery is not correctly inserted.	Check it is correctly located in the mounting bracket.
The press connector is incorrectly pressed.	The press jaw dimension does not match the press connector.	Use a press jaw that matches the press connection dimension.
	The press jaw was not positioned square to the pipe axis on the press connector.	Make sure that the press jaw is positioned square to the pipe axis on the press connector. Repeat the pressing*.
	The press contour is incorrect.	Check the press jaw and have repaired as required. Repeat the pressing* with an operational press jaw.
	The press machine has a fault.	**
Oil escapes from the press machine.	A seal in the casing is faulty or there is a mechanical problem.	**
The motor runs, but the press machine does not complete the pressing.	The oil level is too low.	

* Remove the incorrectly or incompletely pressed press connector from the installation.

** Send the press machine to your nearest service partner for inspection and maintenance.

3.9 Care and maintenance

The tools are subject to normal wear and tear; for this reason, they must be maintained in regular intervals. Only service partners authorised by Viega may service and maintain the tools.

3.9.1 Cleaning the press tools

Press machine



NOTICE!
Damage due to fluids!

Make sure that no fluids get inside the press machine.
Never dip the press machine into fluids.

Requirements:

- The press machine is not energised (rechargeable battery has been removed).
- No press jaw is inserted.
- Wipe the press machine down with a slightly damp cloth.
- Clean the press rolls of the roller head dry and then treat with maintenance oil (art. no. 667 924).

Press jaws and press rings

- Remove dirt and metallic residues from the press jaw or the press ring.
- Remove residues from the press jaw contour (e.g. using Viega cleaning fleece, art. no. 104 412).
- Apply maintenance oil to the hinges and all moving parts (art. no. 667 924).
- Then thinly spray the press jaw or press ring with maintenance oil (art. no. 667 924) and let it work for a short time before wiping off with a lint-free cloth.

3.9.2 Performing checks

To ensure trouble-free operation, perform checks at regular intervals:

- At the end of each use, check the press contour of the press jaws and press rings for damage or visible wear.
- Check the press jaws and press rings for smooth operation.
- Check all press jaws and press rings for proper function by carrying out a test pressing with press connector inserted.

In case of malfunctions, contact an authorised service partner.

3.9.3 Inspection and maintenance



NOTICE!

Do not attempt to carry out repairs yourself. Have repairs carried out only by authorised service partners.

The functional safety and permanent leak tightness of the Viega press connector systems depend primarily on the functional and operational safety of the system press tools, which comprise the Viega press machine plus, system press jaw, ring, chain, and hinged adapter jaw. The press tools were developed and adapted specifically for use with the Viega press connector systems. Viega does not check whether these system press tools can be used for pressing other manufacturers' systems. In particular, no statement can be made on whether it is possible to create permanently leakproof connections in this way.

Maintenance interval

The maintenance interval is 40000 pressings or 4 years, whichever occurs first. The press machine has a label showing the date when the next regular maintenance is due.

Additionally, the press machine is equipped with an LED display which flashes after 40000 pressings to indicate that maintenance is due.

The safety shutdown will occur after a further 2000 pressings.



The safety shutdown occurs after 42000 pressings. Send the press machine to your nearest service partner for inspection and maintenance.

Press jaws and press rings

Overview of maintenance labels

Until 2023	from 2023/24
<p>Maintenance label stating the next recommended maintenance date.</p>	<p>Standardised label with QR code. The link leads to the instructions "How to care for Viega system press tools"</p>

The Viega system press jaws and system press rings have a label showing the date when the next maintenance is due. Respect the maintenance dates in order to guarantee safety and proper function. After completed maintenance, the Viega service partner will apply a new sticker.

3.10 Disposal

Electronic components and batteries must not be put in the domestic waste but disposed of appropriately in accordance with the applicable regulations, see ↗ *Chapter 2.1 'Standards and regulations' on page 8.*

For environmentally compatible disposal, send the press machine to your local service partner or pass it to a recycling company.

Parts of the lithium ion rechargeable batteries contain valuable materials and can be recycled. For disposal, comply with the regulations applicable in your country. For more information, contact your local waste management authority.

For EU countries:

Do not dispose of electrical and electronic devices in household waste. Dispose of the device pursuant to the regulations applicable in your country, see ↗ *'Regulations from section: Disposal' on page 8.*



Observe the requirements on the transport of road and rail freight and of ocean and air freight if sending defective lithium ion rechargeable batteries.

4 Appendix

4.1 Warranty

The warranty period for Viega system tools, such as press tools, press jaws, press rings, Prevista Dry Plus rail punch, pipe cutters, calibration devices, etc., is governed by the national statutory provisions of the country in which you are headquartered. However, it is at least two years after purchase and transfer of risk.

Please keep the proof of purchase in the event that repairs are required during the warranty period. The warranty does not apply in cases of incorrect and non-professional use. If the defect is due to incorrect and non-professional use, or normal wear and tear of wearing parts, warranty claims are excluded.

4.2 FCC/ISED declaration

This device conforms to part 15 of the FCC Regulations. All applicable test numbers are itemised on a label in the rechargeable battery mounting on the handle.

Its operation is subject to the following two conditions:

- This device must not cause any harmful interference radiation.
- This device must receive interference signals, even those that can lead to malfunctions.

Modifications not explicitly permitted by Viega could invalidate the user's authorisation to operate the tool. This device has been tested and conforms to the limit values for a Class A digital device in accordance with Part 15 of the FCC Regulations. These limit values are rated to offer adequate protection against harmful interferences from installations in residential areas. This device generates, uses and can emit radio radiation. Therefore, it can disrupt radio connections if mounted and used incorrectly.



Viega cannot guarantee that malfunctions will not occur in certain installations. Should this device disrupt radio broadcasting or television reception, which can easily be established by turning the device off and on, please take the following measures:

- Adjust the angle of the receiver antenna (radio/TV device) or reposition it.
- Increase the distance between the device and receiver.
- Talk to your dealer or an expert in radio/TV sets.

4.3 Declaration of Conformity



Emerson Professional Tools
Auf dem Knapp 46
D-42855 Remscheid

Handheld Power tools Type PG6+

(D) CE - Konformitätserklärung. Wir erklären in alleiniger Verantwortlichkeit, daß dieses Produkt mit den folgenden Normen oder normativen Dokumenten übereinstimmt:
EN 62841-1, EN ISO 12100, EN ISO 13857, EN ISO 13854, EN 28662-1, EN 61000-6-3, EN 61000-6-2, EN 60529, EN 982, EN 1037 gemäß den Bestimmungen der Richtlinien 2006/42/EG, 2014/30/EU, 2011/65/EU, 2023/1542/EU

(GB) CE - Declaration of conformity. We declare under our sole responsibility that this product is in conformity with the following standards or normative documents:
EN 62841-1, EN ISO 12100, EN ISO 13857, EN ISO 13854, EN 28662-1, EN 61000-6-3, EN 61000-6-2, EN 60529, EN 982, EN 1037 in accordance with the regulations of directives 2006/42/EEC, 2014/30/EU, 2011/65/EU, 2023/1542/EU

(F) CE - Déclaration de conformité. Nous déclarons sous notre seule responsabilité que ce produit est en conformité avec les normes ou documents normatifs suivants:
EN 62841-1, EN ISO 12100, EN ISO 13857, EN ISO 13854, EN 28662-1, EN 61000-6-3, EN 61000-6-2, EN 60529, EN 982, EN 1037 conformément aux réglementations des directives 2006/42/CEE, 2014/30/EU, 2011/65/EU, 2023/1542/EU

(NL) CE - Konformiteitsverklaring. Wij verklaren en wij stellen ons er alleen voor verantwoordelijk dat dit produkt voldoet aan de volgende normen of normatieve documenten:
EN 62841-1, EN ISO 12100, EN ISO 13857, EN ISO 13854, EN 28662-1, EN 61000-6-3, EN 61000-6-2, EN 60529, EN 982, EN 1037 overeenkomstig de bepalingen van de richtlijnen 2006/42/EEG, 2014/30/EU, 2011/65/EU, 2023/1542/EU

(I) CE - Dichiarazione di conformità. Dichiariamo sotto la nostra esclusiva responsabilità che questo prodotto è conforme alle seguenti norme e documenti normativi:
EN 62841-1, EN ISO 12100, EN ISO 13857, EN ISO 13854, EN 28662-1, EN 61000-6-3, EN 61000-6-2, EN 60529, EN 982, EN 1037 conformemente alle disposizioni delle direttive 2006/42/CEE, 2014/30/EU, 2011/65/EU, 2023/1542/EU

(E) CE - Declaración de conformidad. Declaramos bajo nuestra sola responsabilidad que este producto está en conformidad con las normas o documentos normativos siguientes:
EN 62841-1, EN ISO 12100, EN ISO 13857, EN ISO 13854, EN 28662-1, EN 61000-6-3, EN 61000-6-2, EN 60529, EN 982, EN 1037 de acuerdo con las regulaciones de las directivas 2006/42/CEE, 2014/30/EU, 2011/65/EU, 2023/1542/EU

(P) CE - Declaração de conformidade. Declaramos sob nossa exclusiva responsabilidade que este produto cumpre as seguintes normas ou documentos normativos:
EN 62841-1, EN ISO 12100, EN ISO 13857, EN ISO 13854, EN 28662-1, EN 61000-6-3, EN 61000-6-2, EN 60529, EN 982, EN 1037 conforme as disposições das directivas 2006/42/CEE, 2014/30/EU, 2011/65/EU, 2023/1542/EU

(S) CE - Konformitetsdeklaration. Vi förklarar på eget ansvar att denna produkt överensstämmer med följande normer eller normativa dokument:
EN 62841-1, EN ISO 12100, EN ISO 13857, EN ISO 13854, EN 28662-1, EN 61000-6-3, EN 61000-6-2, EN 60529, EN 982, EN 1037 enligt bestämmelserna i direktiverna 2006/42/EG, 2014/30/EU, 2011/65/EU, 2023/1542/EU

(FIN) CE - Todistus standardimukaisuudesta. Asiasta vastaavana todistamme täten, että tämä tuote on seuraavien standardien ja standardoimisasiakirjojen vaatimusten mukainen:
EN 62841-1, EN ISO 12100, EN ISO 13857, EN ISO 13854, EN 28662-1, EN 61000-6-3, EN 61000-6-2, EN 60529, EN 982, EN 1037 ja vastaa säädöksiä 2006/42/EU, 2014/30/EU, 2011/65/EU, 2023/1542/EU

(N) CE - Konformitetserklæring. Vi erklærer på eget ansvarlighet at dette produkt er i overensstemmelse med følgende standarder eller standard-dokumenter:
EN 62841-1, EN ISO 12100, EN ISO 13857, EN ISO 13854, EN 28662-1, EN 61000-6-3, EN 61000-6-2, EN 60529, EN 982, EN 1037 i henhold til bestemmelsene i direktive ne 2006/42/EOF, 2014/30/EU, 2011/65/EU, 2023/1542/EU

(DK) CE - Konformitetserklæring. Vi erklærer under almindeligt ansvar at dette produkt er i overensstemmelse med følgende normer eller normative dokumenter:
EN 62841-1, EN ISO 12100, EN ISO 13857, EN ISO 13854, EN 28662-1, EN 61000-6-3, EN 61000-6-2, EN 60529, EN 982, EN 1037 i henhold til bestemmelse i direktivene 2006/42/EOF, 2014/30/EU, 2011/65/EU, 2023/1542/EU

(PL) CE - Zgodność z dyrektywami CE. Świadomi odpowiedzialności oświadczamy, że niniejszy produkt jest zgodny z następującymi normami lub dokumentacja normatywna:
EN 62841-1, EN ISO 12100, EN ISO 13857, EN ISO 13854, EN 28662-1, EN 61000-6-3, EN 61000-6-2, EN 60529, EN 982, EN 1037 zgodnie z postanowieniami wytycznych 2006/42/EWG, 2014/30/EU, 2011/65/EU, 2023/1542/EU

(GR) CE - ΑΔΑΩΣΗ ΣΥΜΜΟΡΦΩΣΗΣ Με αναλήψη συνολικής δηλώνουμε, ότι το πορον προϊόν συμφορνεί με τα παρακάτω ποοτυπα και με τα ηροτυπα ηου αναφερονται στα σχετικο εγγραφα
EN 62841-1, EN ISO 12100, EN ISO 13857, EN ISO 13854, EN 28662-1, EN 61000-6-3, EN 61000-6-2, EN 60529, EN 982, EN 1037 σύμφωνα με τους κανονισμούς 2006/42/EEC, 2014/30/EU, 2011/65/EU, 2023/1542/EU

(H) CE - Megfelelőségi nyilatkozat. Kéziműködötésű elektromos kéziszerszámok:
Teljes felelősséggel kijelentjük, hogy ezek a termékek a következő szabványokkal és irányelvekkel összhangban vannak:
EN 62841-1; EN ISO 12100 fejezet; EN ISO 13857; EN ISO 13854; EN 28662-1; EN 61000-6-3; EN 61000-6-2; EN 60529; EN 982; EN 1037; és megfelelnek a rendeltetés szerinti 2006/42/EWG, 2014/30/EU, 2011/65/EU, 2023/1542/EU irányelveknek.

(CZ) CE - Prohlášení o shodě. Prohlašujeme na vlastní zodpovednost, že tyto produkty splňují následující normy nebo normativní listiny:
EN 62841-1; EN ISO 12100; EN ISO 13857; EN ISO 13854; EN 28662-1; EN 61000-6-3; EN 61000-6-2; EN 60529; EN 982; EN 1037; Ve shodě se směrnicemi 2006/42/EEC, 2014/30/EU, 2011/65/EU, 2023/1542/EU

(RO) CE-Declarație de conformitate. Noi declarăm pe propria răspundere că acest produs este în conformitate cu următoarele norme și documente normative:
EN 62841-1; EN ISO 12100; EN ISO 13857; EN ISO 13854; EN 28662-1; EN 61000-6-3; EN 61000-6-2; EN 60529; EN 982; EN 1037; potrivit dispozițiilor directivelor 2006/42/EEC, 2014/30/EU, 2011/65/EU, 2023/1542/EU

(SLO) CE - Izjava o skladnosti
S tem potrjujemo splošno odgovornost, da je ta izdelek narejen v skladu z navedenimi normami in standardi
EN 62841-1; EN ISO 12100; EN ISO 13857; EN ISO 13854; EN 28662-1; EN 61000-6-3; EN 61000-6-2; EN 60529; EN 982; EN 1037; ter določbami in smericami 2006/42/EEC, 2014/30/EU, 2011/65/EU, 2023/1542/EU

(HR) CE-09 - Izjava o skladnosti. Pod punom odgovornošću izjavljujemo da je proizvod naveden u naslovu ovog dokumenta sukladan sa primijenjenim normama i normativnim dokumentima :
EN 62841-1; EN ISO 12100; EN ISO 13857; EN ISO 13854; EN 28662-1; EN 61000-6-3; EN 61000-6-2; EN 60529; EN 982; EN 1037; u skladu sa odredbama preporuka 2006/42/EC, 2014/30/EU, 2011/65/EU, 2023/1542/EU

Remscheid, den 05/08/2025

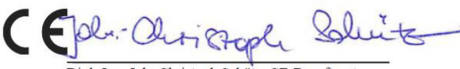

Dipl.-Ing. Joh.-Christoph Schütz, CE-Beauftragte

Fig. 7: CE declaration of conformity Pressgun 6 Plus

4.4 Service partners

For maintenance and repair of the press tools, contact the service partner in your country.

Country code	Company	Address/contact
AT	Martin Unterreitmaier GmbH – Austria TOOL SERVICE	ARED-Straße 7, 2544 Leobersdorf, +43 2256 233 00 / service@toolservice.de
AU	Press Tools Australia Pty Ltd	Unit 23, 35 Sefton Road, Thornleigh NSW 2120 +61 (2) 99 808 440 / service@presstools.com.au
	Allied Power Tools	Unit 12/76 Rushdale Street, Knoxfield, Victoria 3180 +61 (3) 9764 2911 / presstools@alliedpowertools.com.au
BE	OMICRON-Benelux B. V.	Grote Steenweg 116, 3454 Rummen +32 (11) 58 43 50 / service@omicronwt.com
CN	德房家（中国）管道系统有限公司	无锡市锡山区万全路 30 号平谦国际现代产业园 P 栋 400 0688 668 / tao.wu@viega.cn
	Viega (China) Plumbing Systems Co., Ltd.	Building P, Pingqian International Modern Industrial Park, No. 30 Wanquan Road, Xishan District, Wuxi, China (214107) 400 0688 668 / tao.wu@viega.cn
CZ / SK	Mátl & Bula	Stará pošta 750, 66461 Brno +420 5 4723 0048 / info@matl-bula.cz
DE	Voigt & Sohn GmbH	Nordlichtstrasse 48/50, 13405 Berlin +49 (30) 413 4041 / m.sturtz@voigt-und-sohn.de
	Martin Unterreitmaier GmbH TOOL SERVICE	Billwerder Billdeich 601c, 21033 Hamburg +49 (40) 75 11 900 / service@toolservice.de
	Martin Unterreitmaier GmbH – Süd TOOL SERVICE	Neue Gautinger Str. 21, 82110 Germering, +49 (89) 83 96 90 91 / service@toolservice.de
DK	Scherer's Elektro	Valhøjs Alle 171, 2610 Rodovre +45 (44) 843738 / Birgith@scel.dk
ES	Tecno Izquierdo	Avda. del Manzanares 222, 28026 Madrid +34 (914) 759158 / tecno.izquierdo@telefonica.net
FR	Plasti Pro	245 boulevard de l'Europe, 62118 Monchy-le-Preux +33 (361) 47 40 45 / contact@sarl-plastipro.fr
FI	Sähköhuolto Tissari Oy	Sahakatu 2, 70800 Kuopio +358 44 303 8402 / asiakaspalvelu@sht.fi

Country code	Company	Address/contact
		Vasamakuja 10, 1740 Vantaa +358 44 303 8401 / asiakaspalvelu@sht.fi
		Haavikonkuja 2, 20320 Turku +358 44 303 8400 / asiakaspalvelu@sht.fi
IN	Viega India Private Limited	Plot No. E-565, Sanand GIDC Phase – 2, Sanand 382110 +91 997 890 70 44 / Anand.Kurumbhatte@viega.in
IT	Elmes KG	Via Artigianale Nord, 6, 39044 Neumarkt +39 (0471) 813399 / info@elmes.it
IT	O.R.E. s.r.l.	Via Sassonia, 16/G, 47900 Rimini +39 (0541) 741003 / info@oreutensili.com
NO	Grønvold Maskinservice A/S	Brobekkveien 112B, 0582 Oslo +47 (23) 05 06 40 / Terje@gronvoldmaskin.no
NL	MG Service / Viega Service Netherlands	Canadabaan 2, 5388 RT Nistelrode +31 (412) 617 299 / info@mgservice.nl
PL	Despol Service	Podgórska 3, 02-921 Warszawa +48 22 6428570 / service@despoltm.pl
	PROMOT	ul. Metalowa 9, 87-800 Włocławek +48 50 433 82 76 / s.grzegorzewski@szczotkiweglowe.pl
SE	AGB Service AB	Flottiljvägen 22, 39241 Kalmar 0480-28122/ order@agbservice.se
	Terms and Conditions service Stockholm	Rosstigen 2, 16952 Solna 0480-28122/ order@agbservice.se
UK	MEP	Unit K, Ashley Drive Bothwell, G71 8BS Glasgow +44 800 587 5121 / hire@mephire.co.uk
	Broughton Plant Hire & Sales	Unit 10, Trade City, Ashton Road, RM3 8UJ Romford, Essex +44 (1708) 383350 / joe@mbroughtonltd.co.uk



Viega GmbH & Co. KG
service-technik@viega.de
viega.com

INT • 2026-03 • VPN250154

