

Viega Eco Plus washbasin element

Instructions for Use



for wall-mounted fitting

Model
8156

Year built:
from 10/2002

en_INT

viega

Table of contents

1	About these instructions for use	4
1.1	Target groups	4
1.2	Labelling of notes	4
1.3	About this translated version	5
2	Product information	6
2.1	Standards and regulations	6
2.2	Intended use	6
2.2.1	Areas of use	6
2.3	Product description	7
2.3.1	Overview	7
2.3.2	Compatible components	7
2.3.3	Sound protection	7
2.3.4	Technical data	8
2.4	Accessories	8
3	Handling	9
3.1	Assembly information	9
3.1.1	Mounting conditions	9
3.1.2	Installation dimensions	9
3.1.3	Required tools	10
3.2	Assembly	10
3.2.1	Mounting the element	10
3.3	Disposal	15

1 About these instructions for use

Trade mark rights exist for this document, further information can be found at viega.com/legal.

1.1 Target groups

The information in this instruction manual is directed at the following groups of people:

- Heating and sanitary professionals and trained personnel
- Drywall builder

It is not permitted for individuals without the abovementioned training or qualification to mount, install and, if required, maintain this product. This restriction does not extend to possible operating instructions.

The installation of Viega products must take place in accordance with the general rules of engineering and the Viega instructions for use.

1.2 Labelling of notes

Warning and advisory texts are set aside from the remainder of the text and are labelled with the relevant pictographs.



DANGER!

This symbol warns against possible life-threatening injury.



WARNING!

This symbol warns against possible serious injury.



CAUTION!

This symbol warns against possible injury.



NOTICE!

This symbol warns against possible damage to property.



Notes give you additional helpful tips.

1.3 About this translated version

This instruction for use contains important information about the choice of product or system, assembly and commissioning as well as intended use and, if required, maintenance measures. The information about the products, their properties and application technology are based on the current standards in Europe (e. g. EN) and/or in Germany (e. g. DIN/DVGW).

Some passages in the text may refer to technical codes in Europe/Germany. These should serve as recommendations in the absence of corresponding national regulations. The relevant national laws, standards, regulations, directives and other technical provisions take priority over the German/European directives specified in this manual: The information herein is not binding for other countries and regions; as said above, they should be understood as a recommendation.

2 Product information

2.1 Standards and regulations

The following standards and regulations apply to Germany / Europe. National regulations can be found on the relevant web site of your country at viega.com/standards.

Regulations from section: Fields of application / Mounting conditions

Scope / Notice	Regulations applicable in Germany
suitable masonry walls	EN 1996-1-1
suitable concreted walls	DIN 1045
suitable support profiles	DIN 18183

Regulations from section: Sound protection

Scope / Notice	Regulations applicable in Germany
Fulfilled noise protection requirements	DIN 4109
Fulfilled noise protection requirements	DIN 4109 (additional sheet 2)
Fulfilled noise protection requirements	VDI 4100 SSt I-SSt II

2.2 Intended use

2.2.1 Areas of use

The Viega Eco Plus washbasin element is suitable for mounting on masonry wall constructions and support profiles pursuant to the regulations in section ↗ „Regulations from section: Fields of application / Mounting conditions“ on page 6.

The model is designed for the installation of wall-mounted fittings.

2.3 Product description

2.3.1 Overview

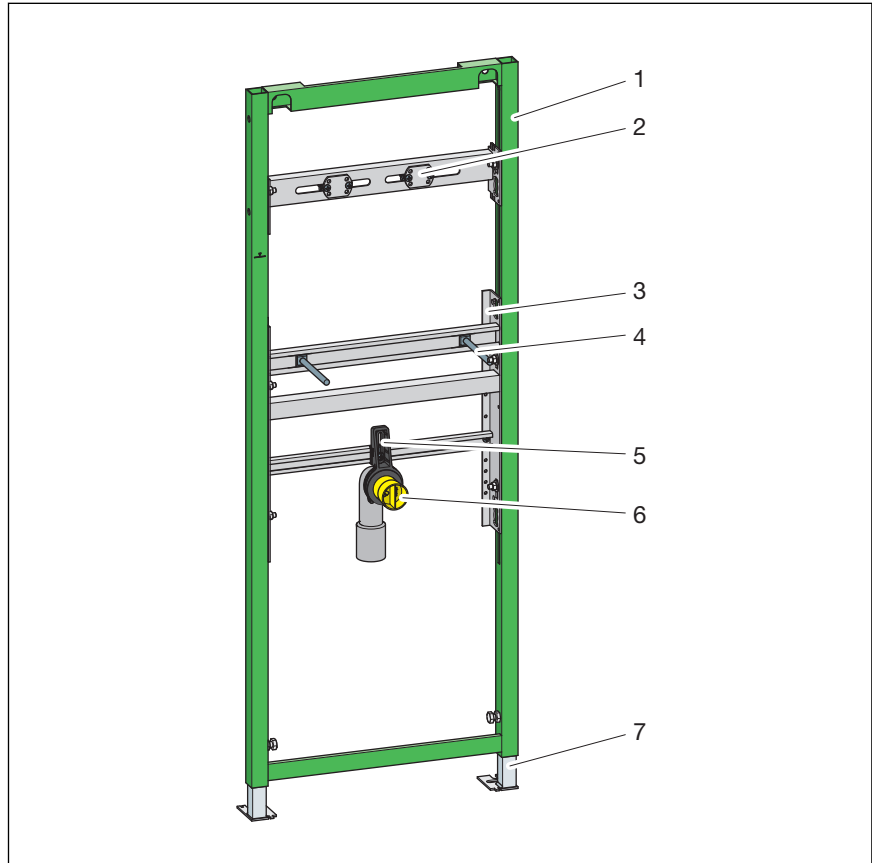



Fig. 1: Components and scope of delivery

- 1 - Viega Eco Plus element
- 2 - connections for wall plates
- 3 - washbasin module
- 4 - threaded bolt
- 5 - mounting bracket for drain elbow
- 6 - drain elbow
- 7 - adjustable feet

2.3.2 Compatible components

The element is compatible with all common washbasin ceramics, even with larger projection (barrier-free).

2.3.3 Sound protection

The washbasin element complies with the noise insulation requirements specified in section  „Regulations from section: Sound protection“ on page 6.

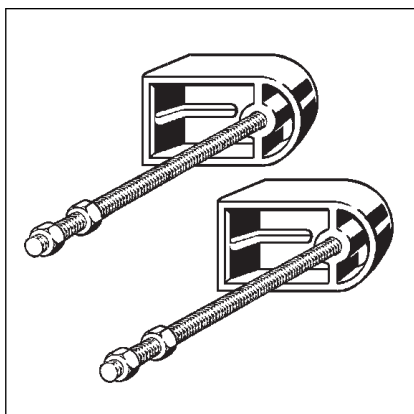
2.3.4 Technical data

The product has the following technical data:

drain elbow	DN 40 / 50
Rubber nipple	DN 40 / 30
Hole diameter for fixing in wooden frame construction	11 mm
Construction height	1300 mm

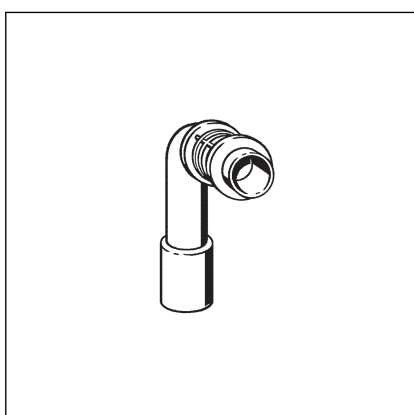
2.4 Accessories

Required accessories



The fixing set model 8173 is required to secure.

Optional accessories




With a desired installation depth of 75 mm (see dimension * in dimensional drawing ↗ *Chapter 3.1.2 „Installation dimensions“ on page 9*), you will require the drain elbow model 8113.21.

3 Handling

3.1 Assembly information

3.1.1 Mounting conditions

Suitable walls

The element is suitable for mounting on masonry wall constructions and support profiles pursuant to the regulations in section  „Regulations from section: Fields of application / Mounting conditions“ on page 6.

The element may only be mounted on even wall surfaces.

Construction height

With the construction height, the marked height of the upper edge of the finished floor must be observed.

3.1.2 Installation dimensions

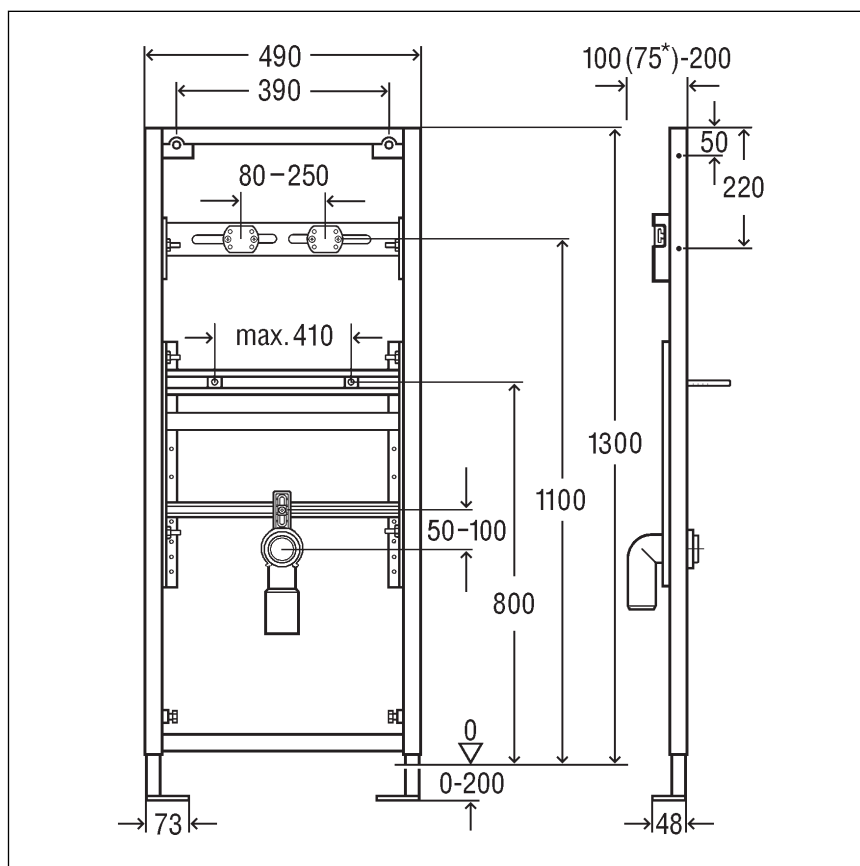


Fig. 2: Dimensions

* The installation depth is achieved with drain elbow model 8113.21

3.1.3 Required tools

The following tools are required for mounting the washbasin element:

- drill with 10 mm drill bit
- ratchet with sockets: 13 mm / 17 mm
- fork or ring spanner: 13 mm / 17 mm

3.2 Assembly

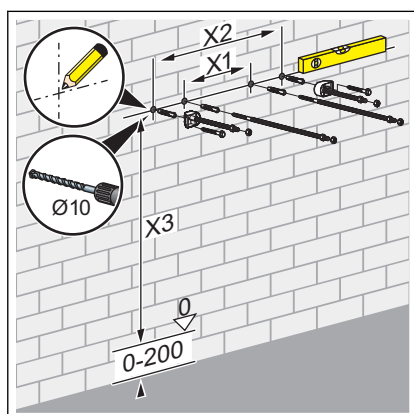
3.2.1 Mounting the element

Masonry wall



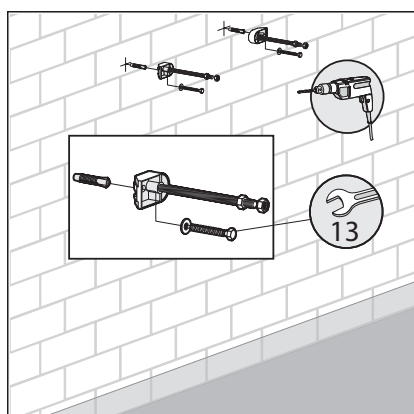
Masonry and concreted walls

You should use a support bracket (model 8165) when mounting multiple washbasin elements with an interval of > 490 mm. Observe the instructions for use of the support bracket when mounting.



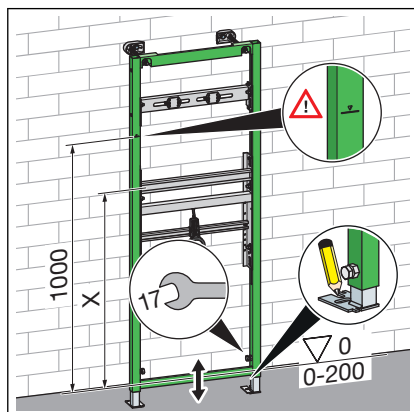
► Determine and mark fixing points.

- X1: 390 mm (model 8180.73)
- X2: 440 mm (model 8173)
- X3: 1280 mm



► Drill holes.

► Mount the fixing set with the fork spanner (size 13).



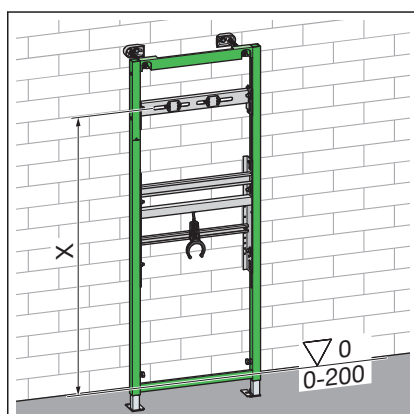
Align height of element.

Whilst doing so, observe the markings on the element.

Determine construction height in accordance with the on-site marking of the upper edge of the finished floor.

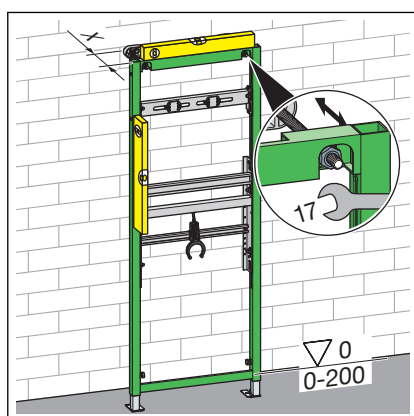
x = Observe the instructions of the washbasin manufacturer.

INFO! The construction height must be determined exactly. There are only limited possibilities available to remedy errors made during this assembly step, ↪ „Construction height“ on page 9.

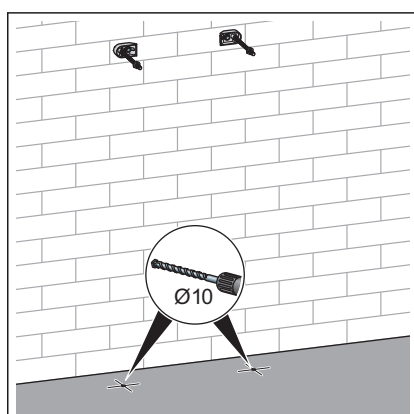


Set height of the crossbeam.

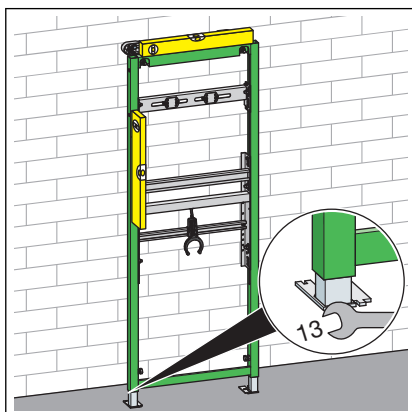
The crossbeam aids the installation of the wall-mounted fitting.



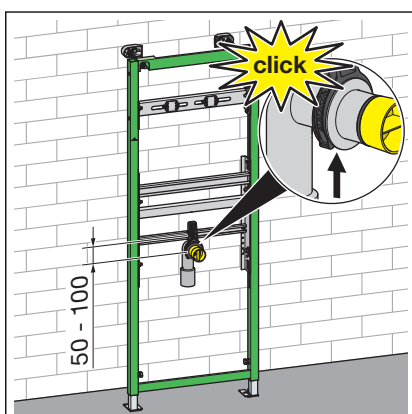
Set the installation depth of the element with the fork spanner (size 17).



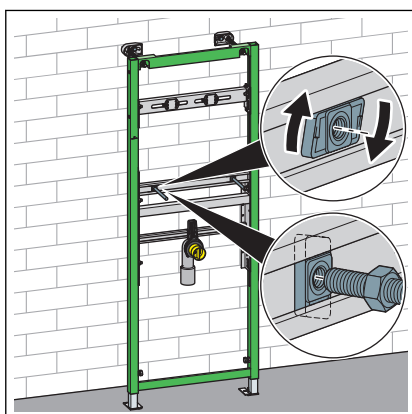
Remove WC element and drill floor holes.



- Attach element to the floor using the fork spanner (size 13) and the screws and dowels supplied.

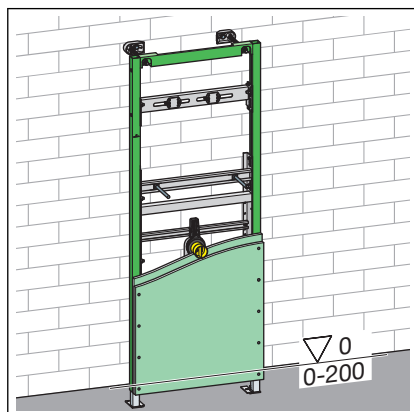


- Mount drain elbow in mounting bracket.
- Secure with a bracket.
- Set height of the drain elbow (50–100 mm).



- Mount threaded bolts.
The fixing interval is dependent on the ceramic. It is normally 280 mm.

- Set connections for wall plates.
Observe the instructions of the fitting manufacturer.
- Make water connections.

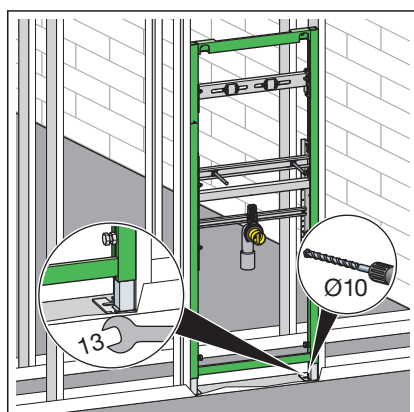
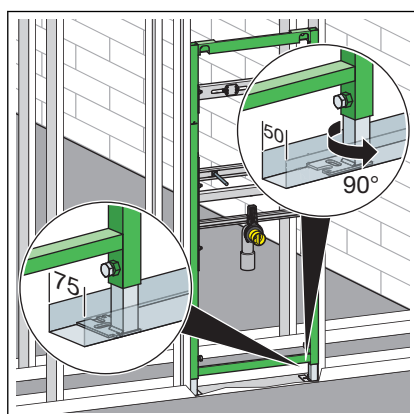


- Double-clad element (2 x 12.5 mm).

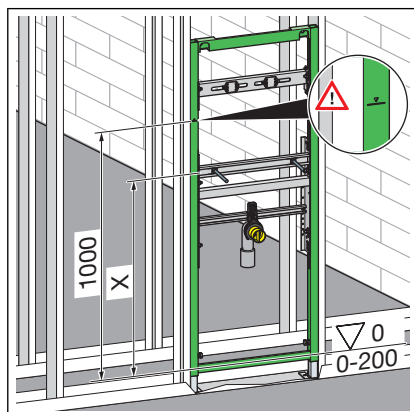
Mounting in on-site support profile

The element can be inserted into the 50 mm and 75 mm support profiles.

- Determine the fixing points.
- Align element.
- Mount drain elbow and threaded bolts.
- Set connections for wall plates.
- If necessary, adjust the pre-mounted foot depth from 75 mm to 50 mm: Pull out foot and turn by 90°.



- Attach element to the floor using the fork spanner (size 13) and the screws and dowels supplied.



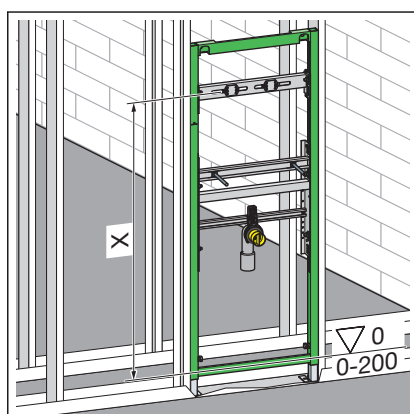
- Determine construction height in accordance with the on-site marking of the upper edge of the finished floor.

- Align height of element.

Whilst doing so, observe the markings on the element.

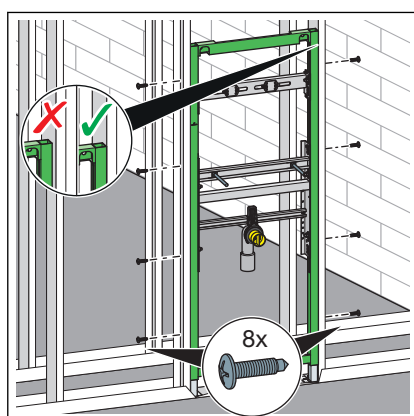
x = Observe the instructions of the ceramic manufacturer.

INFO! The construction height must be determined exactly. There are only limited possibilities available to remedy errors made during this assembly step, ↪ „Construction height“ on page 9.



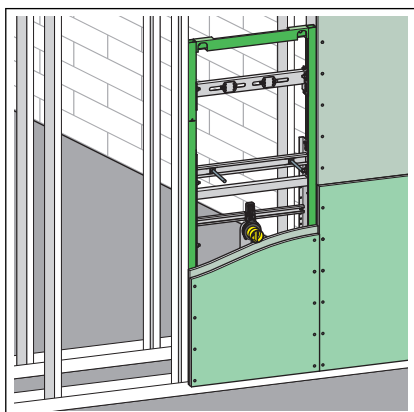
- Set height of the crossbeam.

The crossbeam aids the installation of the wall-mounted fitting.



- Screw element together laterally with the support profiles.

- Make water connections.



► Double-clad element (2 x 12.5 mm).

3.3 Disposal

Separate the product and packaging materials (e. g. paper, metal, plastic or non-ferrous metals) and dispose of in accordance with valid national legal requirements.