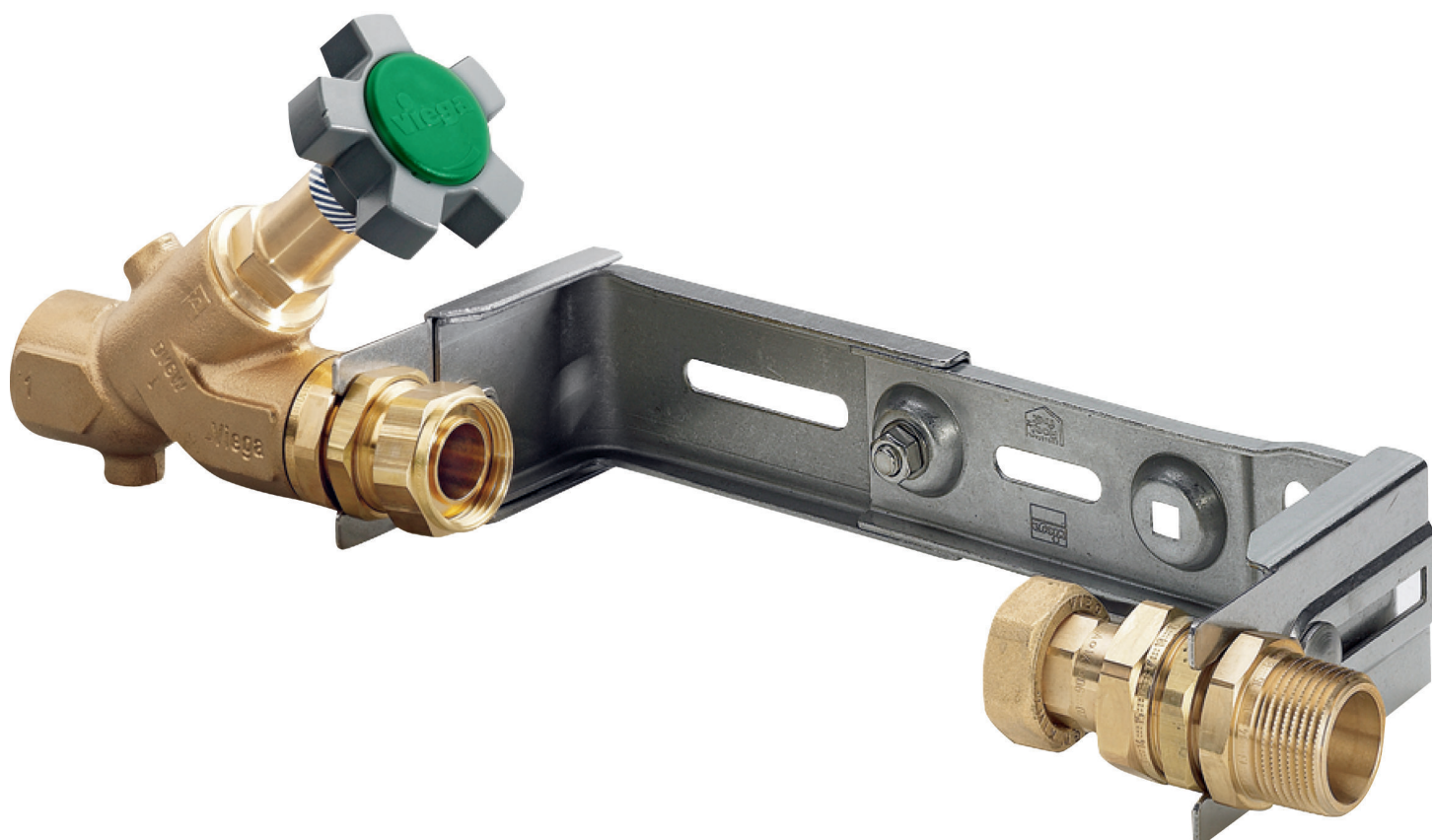


# Easytop mounting unit

## Instructions for Use



for water meter in drinking water installation

**Model**  
2230.21

**Year built:**  
from 04/2006

en\_INT

**viega**



# Table of contents

<b>1</b>	<b>About these instructions for use</b>	<b>4</b>
1.1	Target groups	4
1.2	Labelling of notes	4
<b>2</b>	<b>Product information</b>	<b>5</b>
2.1	Intended use	5
2.1.1	Areas of use	5
2.1.2	Media	5
2.2	Product description	5
2.2.1	Overview	5
2.2.2	Threaded connection	6
2.2.3	Markings on components	6
2.2.4	Compatible components	6
2.2.5	Technical data	7
2.3	Information for use	7
2.3.1	Corrosion	7
2.3.2	Optional accessories	7
<b>3</b>	<b>Handling</b>	<b>9</b>
3.1	Assembly information	9
3.1.1	Mounting instructions	9
3.2	Assembly	9
3.2.1	Mounting preparation	9
3.2.2	Horizontal installation	10
3.2.3	Vertical installation	13
3.2.4	Leakage test	13
3.3	Maintenance	14
3.4	Disposal	14

# 1 About these instructions for use

Trade mark rights exist for this document, further information can be found at [www.viega.com/legal-notice](http://www.viega.com/legal-notice).

## 1.1 Target groups

The information in this manual is directed at heating and sanitary professionals and trained personnel.

It is not permitted for individuals without the abovementioned training or qualification to mount, install and, if required, service this product. This restriction does not extend to possible operating instructions.

The installation of Viega products must take place in accordance with the general rules of engineering and the Viega instructions for use.

## 1.2 Labelling of notes

Warning and advisory texts are set aside from the remainder of the text and are labelled with the relevant pictographs.



### **DANGER!**

This symbol warns against possible life-threatening injury.



### **WARNING!**

This symbol warns against possible serious injury.



### **CAUTION!**

This symbol warns against possible injury.



### **NOTICE!**

This symbol warns against possible damage to property.



*Notes give you additional helpful tips.*

## 2 Product information

### 2.1 Intended use



*The use of the model for areas of use and media other than those described must be approved by the Viega Service Center.*

#### 2.1.1 Areas of use

Use is possible in the following areas among others:

- Drinking water installations

The general rules of engineering must be observed for planning, execution, operation and maintenance of drinking water installations.

E. g. the following regulations apply:

- DIN EN 806 Part 1–5 and DIN EN 1717
- Supplementary national regulations amongst others DIN 1988, VDI/DVGW 6023 and Drinking Water Ordinance (DWO)

#### 2.1.2 Media

The model is suitable for the following media, among others:

- Drinking water without limitations  
in acc. with DWO
- max. chloride concentration 250 mg/l  
in acc. with DWO

### 2.2 Product description

Easytop system fittings can be used for all types of drinking water in acc. with DWO and DIN 50930-6 and are DVGW certified. Their plastic components conform with the KTW recommendation and the requirements of the DVGW Worksheet W 270.

#### 2.2.1 Overview



*The Easytop system fittings comply with the testing criteria of DIN EN 1213: 1999 (Fitting group I).  
Sound protection  $L_{ap} \leq 20$  dB(A)*

The Easytop mounting unit is suitable for the horizontal and vertical mounting of water meters.

The model is equipped as follows:

- water meter bow made of stainless steel, rust-free, depth and length-adjustable
- water meter screw connection, inlet side sealable, outlet side length-adjustable
- inlet side Easytop slanted seat valve model 2230.51
- outlet side R-thread
- all parts that come into contact with water are made of gunmetal
- fixing material

The model is available in the following dimensions:

Qn	2.5
Rp	1
R	1

## 2.2.2 Threaded connection

Prerequisite for a threaded connection, which seals via a thread, is a threaded pair in acc. with DIN EN 10226-1. In acc. with DIN EN 10226-1 comprises a permitted threaded pair consisting of a conical external thread and a cylindrical internal thread, e. g. R  $\frac{3}{4}$  and Rp  $\frac{3}{4}$ .

Only use commercially available and chloride-free, DVGW approved sealant in acc. with DIN 30660 and DIN EN 751-2 to seal threads.

## 2.2.3 Markings on components

The model is marked as follows:

- Flow direction indicator
- Noise class I in acc. with DIN EN 1213
- Dimension
- DWGW writing
- Position indicator below the handwheel

## 2.2.4 Compatible components

The model is suitable for the mounting of water meters size Qn 2.5.

Please contact the Viega Service Center for questions on this subject.

## 2.2.5 Technical data

Observe the following operating conditions for the installation of the model:

Operating temperature [T <sub>max.</sub> ]	20 °C
Operating pressure [P <sub>max.</sub> ]	1.6 MPa (16 bar)

## 2.3 Information for use

### 2.3.1 Corrosion

Overground pipelines and fittings in rooms do not normally require external corrosion protection.

There are exceptions in the following cases:

- Contact with aggressive building materials such as nitrite or materials containing ammonium
- in aggressive surroundings

If external corrosion protection is required, the following regulations should be followed:

- DIN EN 806-2
- DIN 1988-200
- DKI information publication i. 160



*Easytop fittings made of gunmetal are suitable for all types of drinking water.*

*The chloride concentration in the medium must not exceed 250 mg/l.*

*This chloride is not a disinfectant, but in fact pertains to the content in sea and table salt (sodium chloride).*

### 2.3.2 Optional accessories

Available as optional accessories for the outlet side of the water meter connection:



Fig. 1: 2230.90 Easytop CRV slanted seat valve with SC-Contur



Fig. 2: 2230.91 Easytop CRV slanted seat valve

# 3 Handling

## 3.1 Assembly information

### 3.1.1 Mounting instructions

#### Checking system components



*Do not remove the model from the packaging until immediately before use.*

System components may, in some cases, become damaged through transportation and storage.

- Check all parts.
- Replace damaged components.
- Do not repair damaged components.
- Contaminated components may not be installed.

#### During assembly

Observe the following when mounting the model:

- Flow direction indicator
- Use suitable tools



*Choose the place of installation so that the Easytop mounting unit is easily accessible, simple to operate and the water meter can be well mounted.*

#### Laying and fixing pipes

Information can be found in the Profipress, Sanpress and Sanpress Inox system instructions for use.

#### Length expansion

Information can be found in the Profipress, Sanpress and Sanpress Inox system instructions for use.

## 3.2 Assembly

### 3.2.1 Mounting preparation

Mounting is demonstrated with the example model 2230.15.

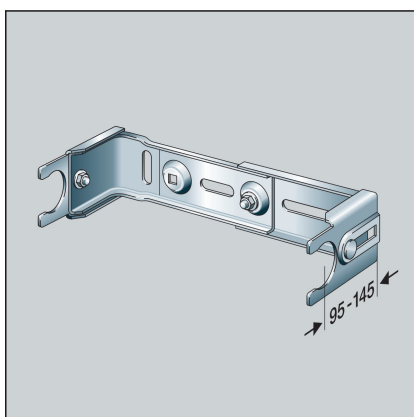

**NOTICE!**

The supplied fixing set is designed for installation on a solid wall.

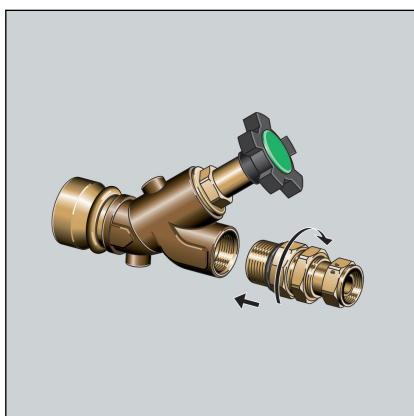
The fixing material must be adapted to the ground and to the ambient conditions.

### 3.2.2 Horizontal installation

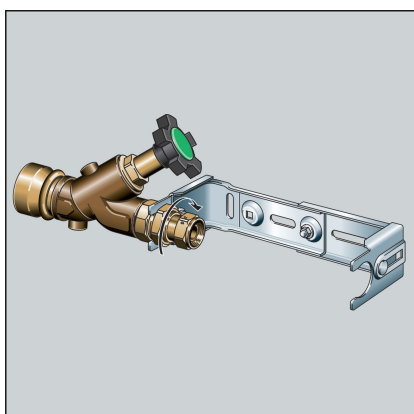
#### Assembly steps



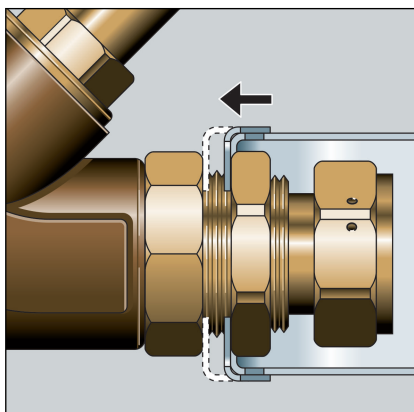
- Attach water meter bow to the wall.
- Set the required distance to the wall for the water meter.



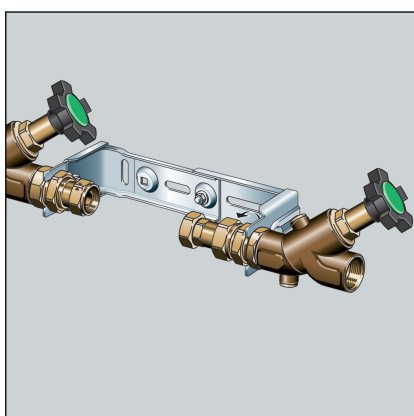
- Inlet:  
Screw water meter screw connection into the Easytop slanted seat valve. Sealing is achieved using an O-Ring.
- Outlet:  
Seal R-thread of the water meter screw connection for further use.



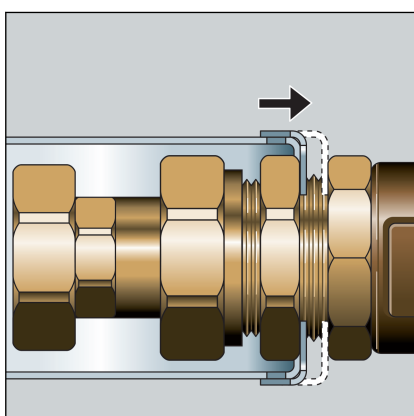
- Secure Easytop slanted seat valve onto the water meter bow.  
**NOTICE! Observe flow direction!**



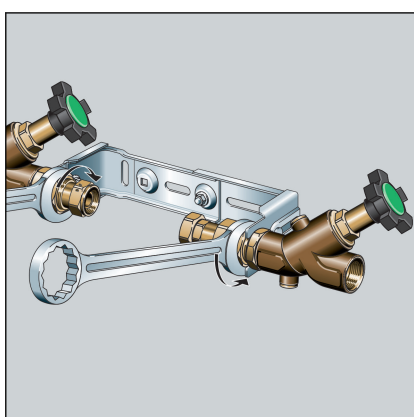
► Screw the lock nut finger-tight against the water meter bow.



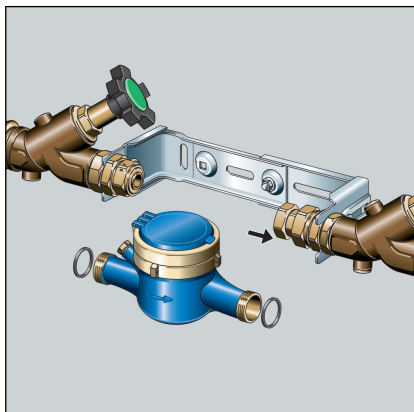
► Secure water meter screw connection onto the water meter bow.



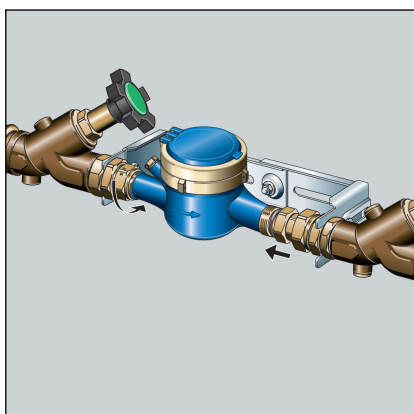
► Screw the lock nut finger-tight against the water meter bow.



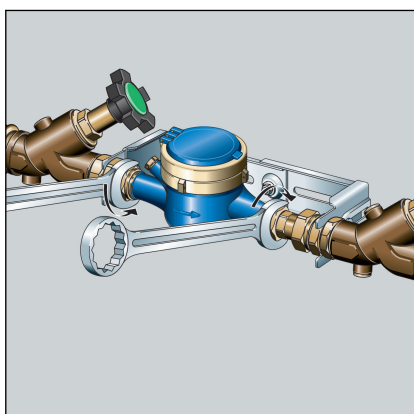
► Tighten lock nut of the water meter screw connection.



- Loosen the fixing nut of the slide and push in the slide.



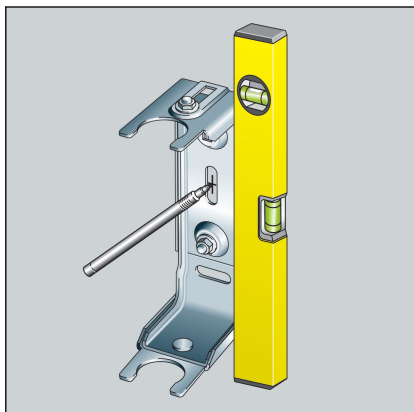
- Place the water meter with seal on the inlet screw fitting and tighten finger-tight.
- Push slide with seal back to the water meter and tighten screw fitting finger-tight.



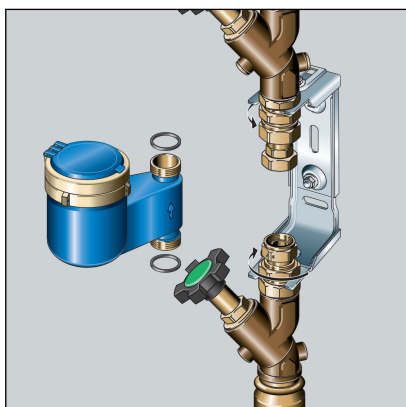
- Tighten water meter screw connections.
- Tighten fixing nut of the slide.

### 3.2.3 Vertical installation

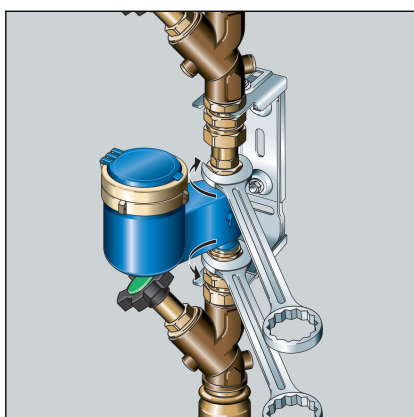
#### Assembly steps



- Use water meter for the vertical mounting.
- Carry out the assembly steps as with the horizontal installation.



- Tighten lock nut of the water meter screw connection.
- Loosen the fixing nut of the slide and push in the slide.
- Place the water meter with seal on the inlet screw fitting and tighten finger-tight.
- Push slide with seal back to the water meter and tighten screw fitting finger-tight.



- Tighten water meter screw connections.
- Tighten fixing nut of the slide.

### 3.2.4 Leakage test

The installer must perform a leakage test before commissioning. This test is carried out on a unit that is finished but not yet covered. The general rules of engineering must be observed. E. g. the following regulations apply:

- DIN EN 806-4

The result must be documented.

### 3.3 Maintenance



**NOTICE!**

Inform your customer or the operator of the drinking water installation that the system has to be maintained on a regular basis.

DIN EN 806-5 must be observed for the operation and maintenance of drinking water installations.



*We recommend actuating the fitting regularly and checking its function.*

#### Replacing the valve top

If the valve top has to be replaced, model 2237.20 is available.

#### Replace water meter screw connection

If the water meter screw connection has to be replaced, model 2230.71 is available.

### 3.4 Disposal

Separate the product and packaging materials (e. g. paper, metal, plastic or non-ferrous metals) and dispose of in accordance with valid national legal requirements.