

# Viega Eco Plus WC element

## Instructions for Use



**Viega Eco Plus**

**Model**  
8130.2

en\_INT

**Year built:**  
from 03/2014

**viega**



# Table of contents

<b>1</b>	<b>About these instructions for use</b>	<b>4</b>
1.1	Target groups	4
1.2	Labelling of notes	4
1.3	About this translated version	5
<b>2</b>	<b>Product information</b>	<b>6</b>
2.1	Standards and regulations	6
2.2	Intended use	6
2.2.1	Areas of use	6
2.3	Product description	6
2.3.1	Overview	6
2.3.2	Compatible components	7
2.3.3	Sound protection	9
2.3.4	Technical data	9
<b>3</b>	<b>Handling</b>	<b>10</b>
3.1	Assembly information	10
3.1.1	Mounting conditions	10
3.1.2	Installation dimensions	11
3.1.3	Required tools	11
3.2	Assembly	11
3.2.1	Mounting WC element	11
3.2.2	Converting actuation	18
3.2.3	Preparing optional actuation versions	21
3.2.4	Setting the flush volume	22
3.3	Cleaning and maintenance	22
3.4	Disposal	23

# 1 About these instructions for use

Trade mark rights exist for this document; for further information, go to [viega.com/legal](http://viega.com/legal).

## 1.1 Target groups

The information in this instruction manual is directed at the following groups of people:

- Heating and sanitary professionals and trained personnel
- Drywall builder

Individuals without the abovementioned training or qualification are not permitted to mount, install and, if required, maintain this product. This restriction does not extend to possible operating instructions.

The installation of Viega products must take place in accordance with the general rules of engineering and the Viega instructions for use.

## 1.2 Labelling of notes

Warning and advisory texts are set aside from the remainder of the text and are labelled with the relevant pictographs.



### **DANGER!**

This symbol warns of possible life-threatening injury.



### **WARNING!**

This symbol warns of possible serious injury.



### **CAUTION!**

This symbol warns of possible injury.



### **NOTICE!**

This symbol warns of possible damage to property.



*This symbol gives additional information and hints.*

### 1.3 About this translated version

This instruction for use contains important information about the choice of product or system, assembly and commissioning as well as intended use and, if required, maintenance measures. The information about the products, their properties and application technology are based on the current standards in Europe (e. g. EN) and/or in Germany (e. g. DIN/DVGW).

Some passages in the text may refer to technical codes in Europe/Germany. These should serve as recommendations in the absence of corresponding national regulations. The relevant national laws, standards, regulations, directives and other technical provisions take priority over the German/European directives specified in this manual: The information herein is not binding for other countries and regions; as said above, they should be understood as a recommendation.

## 2 Product information

### 2.1 Standards and regulations

The following standards and regulations apply to Germany / Europe. National regulations can be found on the relevant web site of your country at [viega.com/standards](http://viega.com/standards).

#### Regulations from section: Fields of application / Mounting conditions

Scope / Notice	Regulations applicable in Germany
suitable masonry walls	EN 1996-1-1
suitable concreted walls	DIN 1045
suitable support profiles	DIN 18183

#### Regulations from section: Sound protection

Scope / Notice	Regulations applicable in Germany
Fulfilled noise protection requirements	DIN 4109
Fulfilled noise protection requirements	DIN 4109 (additional sheet 2)
Fulfilled noise protection requirements	VDI 4100 SSt I-SSt II

### 2.2 Intended use

#### 2.2.1 Areas of use

The Viega Eco Plus WC element is suitable for mounting on masonry wall constructions and support profiles pursuant to the regulations in section [↗](#) „Regulations from section: Fields of application / Mounting conditions“ on page 6.

### 2.3 Product description

#### 2.3.1 Overview

The WC element is equipped as follows:

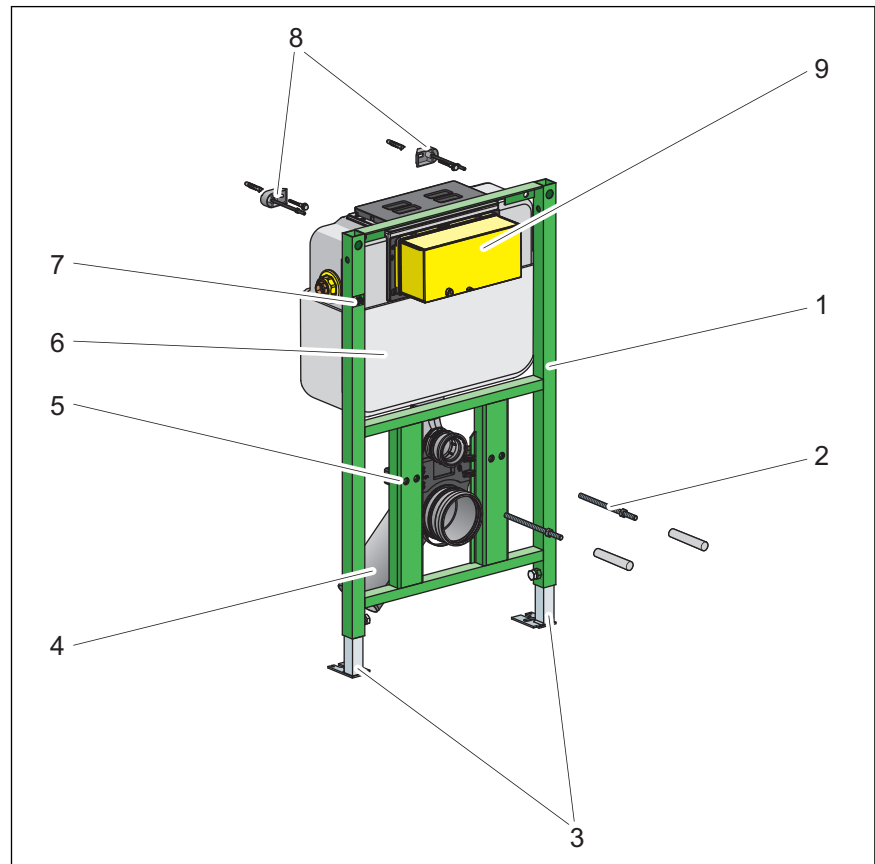


Fig. 1: Components

- 1 - Viegaswift WC element
- 2 - threaded rods for fixing sanitary objects (gauges for bore hole 180 or 230 mm)
- 3 - adjustable feet
- 4 - drain elbow
- 5 - fixing height for the WC ceramic: 330 mm
- 6 - Viegaswift concealed cistern 2L
- 7 - marking 0.7 m above the upper edge of the finished floor
- 8 - fixing set (not included in the scope of delivery model 8173)
- 9 - flush actuation site protection

### 2.3.2 Compatible components

The WC element is compatible with all common WC ceramics, even with larger projection (barrier-free).

The WC element can be extended by the following compatible components:

- fixing set (model 8173)
- connection installation set (model 8350.14)

Installation of the WC element into the modular Viegaswift pre-wall installation system (model 8110.5) is possible.

Mount the components in accordance with the respective instructions for use.

### Connection installation set

The installation set is suitable for the connection of an electrical actuation. The installation set consists of an empty pipe, a cavity wall socket and the relative, required clip. The empty pipe connects the cavity wall socket with the concealed cistern.

### Compatible flush plates

Product	Name	Model
Standard	Flush plate Standard 1	8180.1
Visign for Style	Flush plate Visign for Style 10	8315.1
	Flush plate Visign for Style 11	8331.1
	Flush plate Visign for Style 12	8332.1
	Flush plate Visign for Style 12	8332.4
	Flush plate Visign for Style 13	8333.1
	Flush plate Visign for Style 14	8334.1
	Functional unit	8332.3
Visign for More	Flush plate Visign for More 100	8352.1
	Flush plate Visign for More 101	8351.1
	Flush plate Visign for More 102	8353.1
	Flush plate Visign for More 103	8355.1
	Flush plate Visign for More 104	8354.1
Visign for Care sensitive	Flush plate sensitive Visign for Care	8352.21
Visign for More sensitive	Flush plate sensitive Visign for More 100	230 V 8352.11
	Flush plate sensitive Visign for More 100	6.5 V 8352.12



Product	Name	Model
	Flush plate sensitive Visign for More 103	230 V 8355.11
	Flush plate sensitive Visign for More 103	6.5 V 8355.12
Visign for Public	Flush plate Visign for Public 1	8326.1
	Flush plate Visign for Public 2	8327.1
	Remote actuation Visign for Public 1	8326.21
	Cover plate Visign for Public	8326.9

### 2.3.3 Sound protection

The WC element complies with the noise insulation requirements specified in section [↪](#) „Regulations from section: Sound protection“ on page 6.

### 2.3.4 Technical data

#### Flush volume


<b>Small flush volume</b>	Factory setting	approx. 3 l
	Setting range	approx. 3–4 l
<b>Large flush volume</b>	Factory setting	approx. ca. 6 l
	Setting range	approx. 6–9 l

# 3 Handling

## 3.1 Assembly information

### 3.1.1 Mounting conditions

#### Suitable walls

The Viega WC element is suitable for mounting on masonry wall constructions and support profiles pursuant to the regulations in section  „Regulations from section: Fields of application / Mounting conditions“ on page 6.

The WC element may only be mounted on even wall surfaces.

#### Construction height

With the construction height, the marked height of the upper edge of the finished floor must be observed.

#### Installation depth

The installation depth can be between 85 mm and 200 mm.

#### WC ceramic

The WC element can only be used in combination with wall-hung WCs (fixing gauges for bore hole 180 mm or 230 mm).

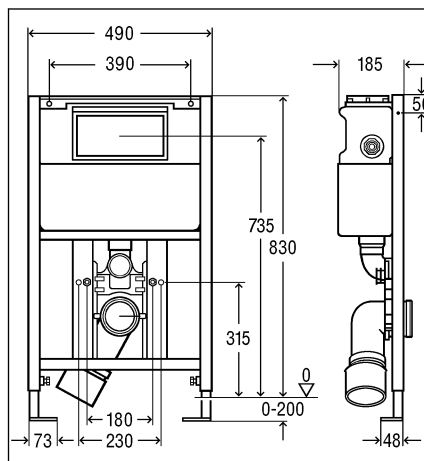
#### Actuation

The WC element can be extended by a remote actuation Visign for Public1 (model 8326.21) or by an electronic actuation (model 8350.31 or 8350.32). The corresponding actuation method must be prepared before the WC element is clad and tiled.

The corresponding empty pipe (included in the scope of delivery of the remote actuation) is required when preparing the remote actuation Visign for Public1.

### 3.1.2 Installation dimensions

#### Dimensions



### 3.1.3 Required tools

- drill with 10 mm drill bit
- ratchet with sockets: 13 mm / 17 mm
- fork or ring spanner: 10 mm / 13 mm / 17 mm / 19 mm

## 3.2 Assembly

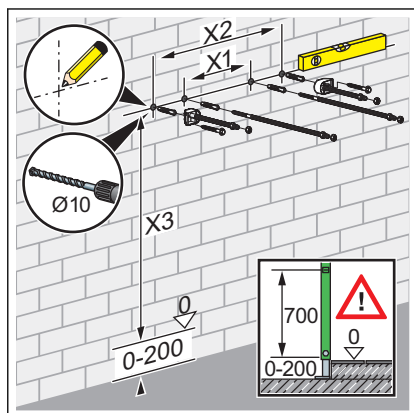
### 3.2.1 Mounting WC element



#### ***Masonry and concreted walls***

*You should use a support bracket (model 8165) when mounting multiple WC elements with an interval of > 490 mm. Observe the instructions for use of the support bracket when mounting.*

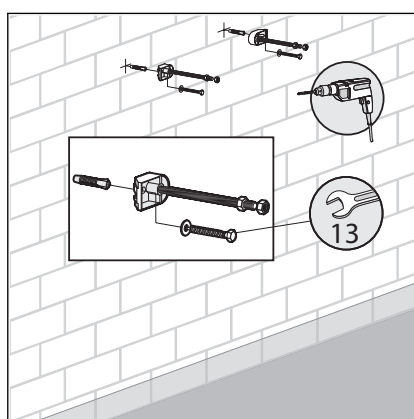
## Masonry wall



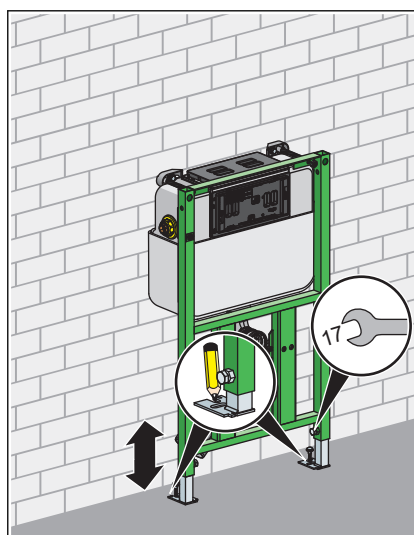
► Determine and mark fixing points.

- X1: 390 mm (model 8180.73)
- X2: 440 mm (model 8173)
- X3: 810 mm.

► Drill holes.

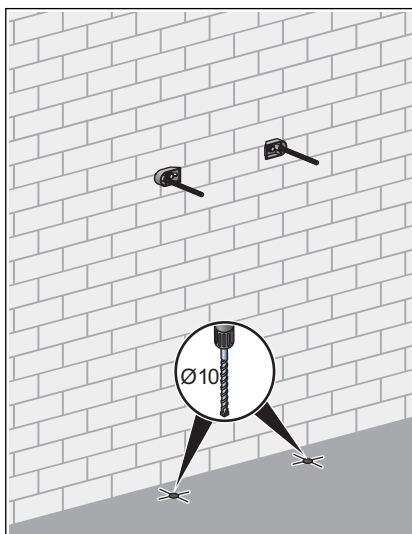


► Mount the fixing set with the fork spanner (size 13).

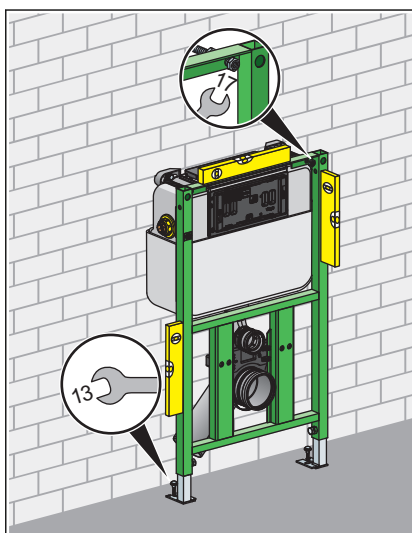


► Align the height (size 17) of the WC element in accordance with the height marking.

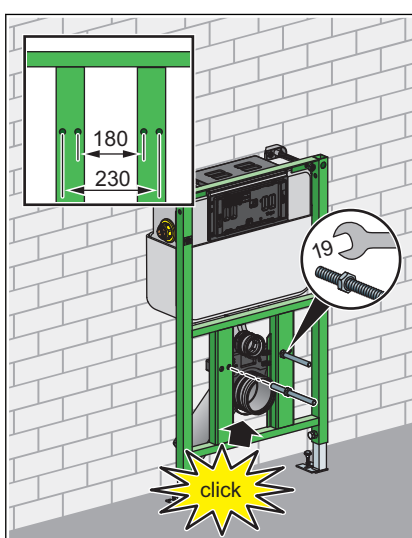
► Mark fixing points on the floor.



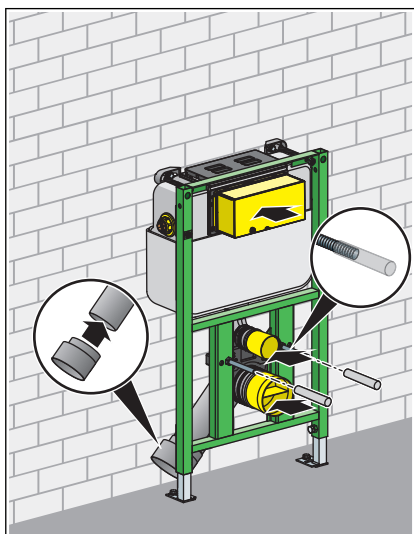
- Drill holes for fixing on the floor.



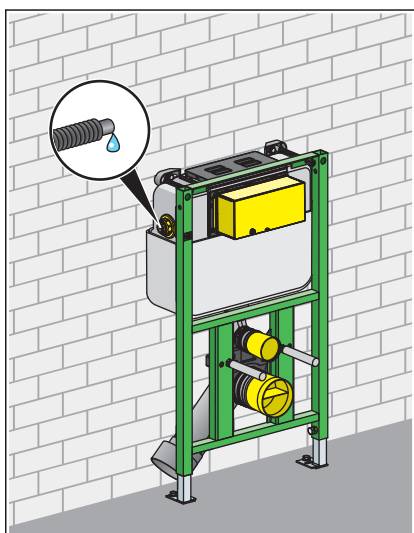
- Attach WC element to the floor using the fork spanner (size 13) and the screws and dowels supplied.
- Set the installation depth of the pre-wall element (200 mm) with the fork spanner (size 17).



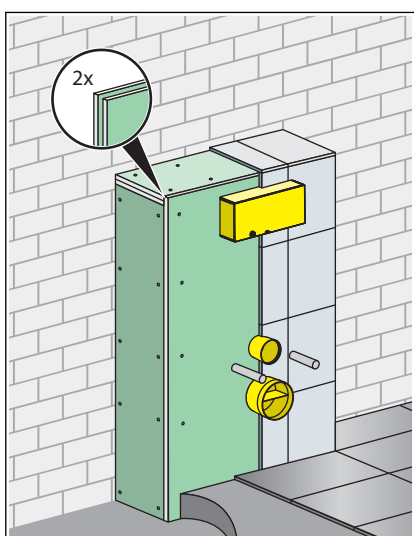
- Mount WC threaded rods (gauges for bore hole 180 or 230 mm).
- Clip in drain elbow.



- Install site protection of the flush actuation.
- Attach protective caps for threaded rods onto WC ceramic.
- Mount protective plug.

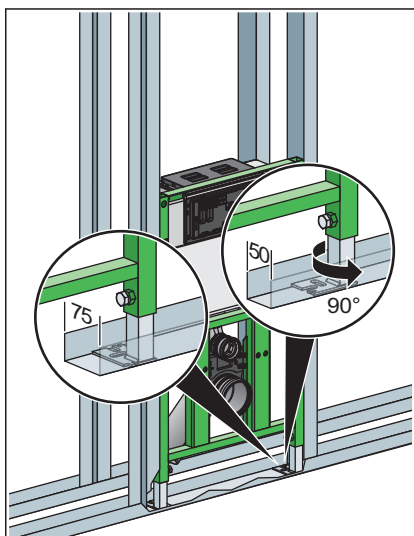


- Carry out water connection.

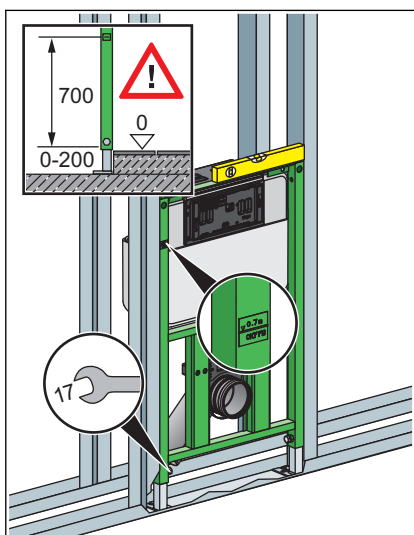


- Double clad WC element with IFGP cladding panels (model 8055.10) (2 x 12.5 mm).

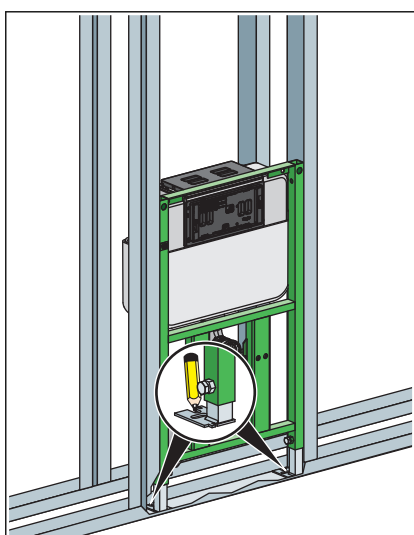
### On-site support profile



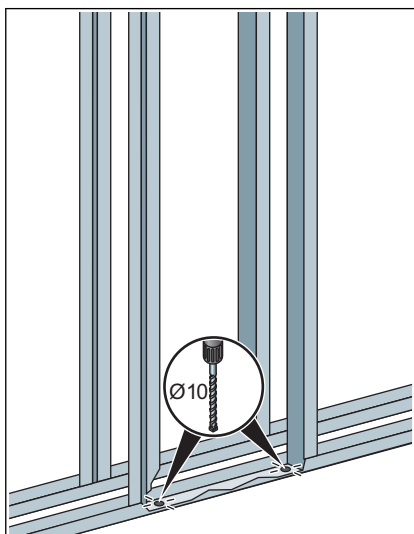
- If necessary, adjust (pre-mounted) foot depth from 75 mm to 50 mm.
- Pull the foot out and turn by 90°.



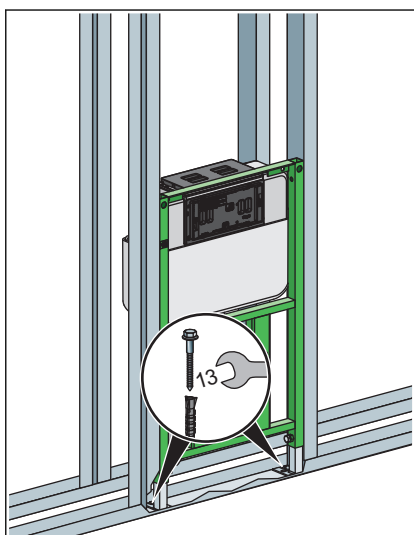
- Determine construction height in accordance with the on-site marking of the upper edge of the finished floor.
- Pull WC element up (height marking) and align.
- Tighten feet with the fork spanner (size 17).



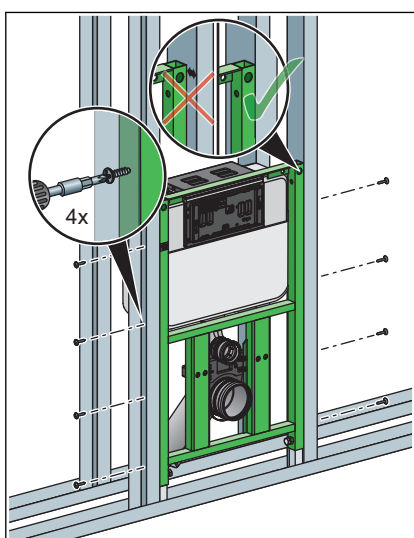
- Mark holes for floor supports.



► Drill holes.



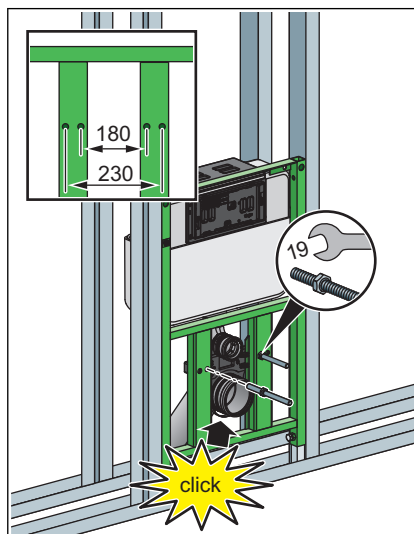
► Attach element to floor (size 13).



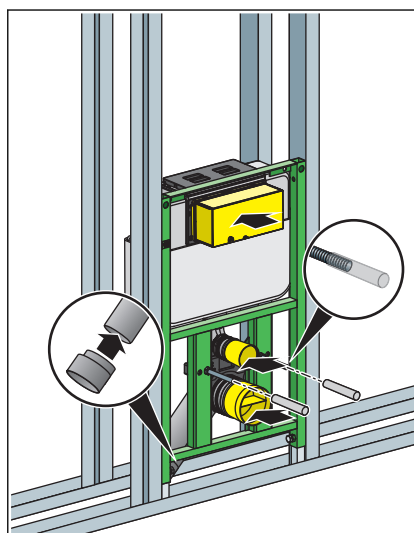
► Attach WC element to the support profiles using the screws supplied.

Connect the WC element flush with the support profiles.

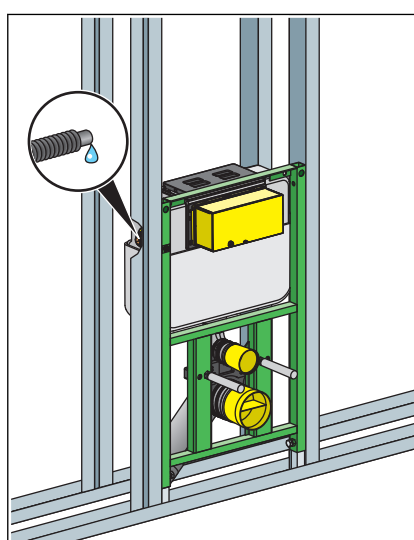




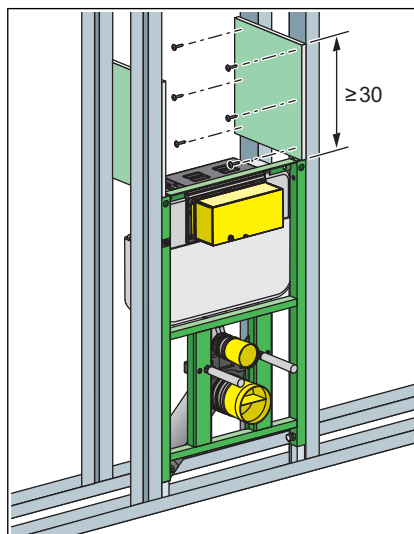
- Mount WC threaded rods (gauges for bore hole 180 or 230 mm).
- Clip in drain elbow.



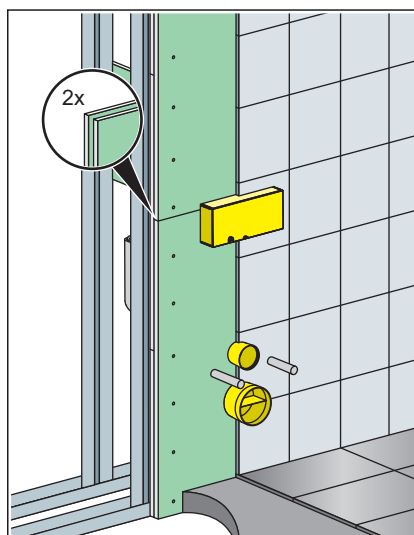
- Install site protection of the flush actuation.
- Attach protective caps for threaded rods onto WC ceramic.
- Mount protective plug.
- If necessary, mount a reducer.



- Carry out water connection.



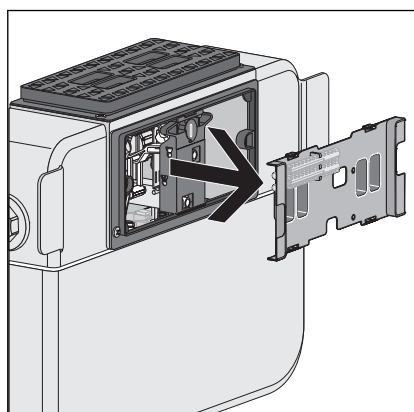
- Strap the support profiles with panel strips  $\geq 30$  cm.



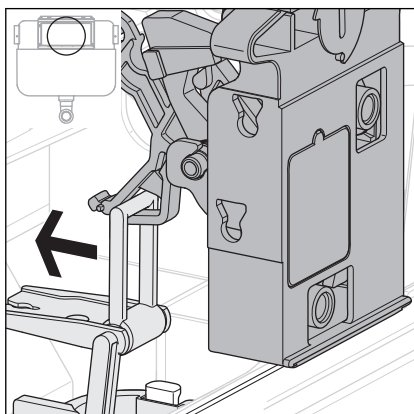
- Double-clad WC element with IFGP cladding panels (model 8055.10) (2 x 12.5 mm).

### 3.2.2 Converting actuation

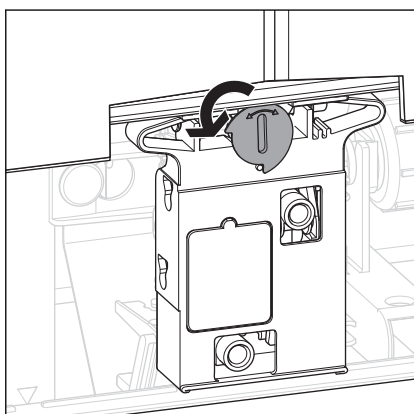
Actuation can take place optionally from the front or the top. The actuation is pre-mounted from the front in delivery condition. To convert actuation from above, proceed as follows:



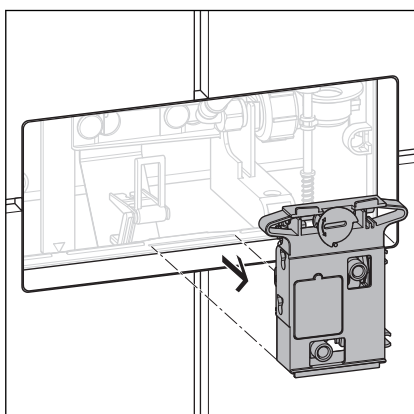
- Remove lateral cistern cover.



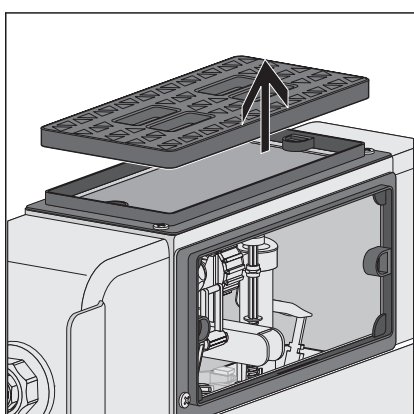
- Press the bow backwards from the mounting of the mechanism.



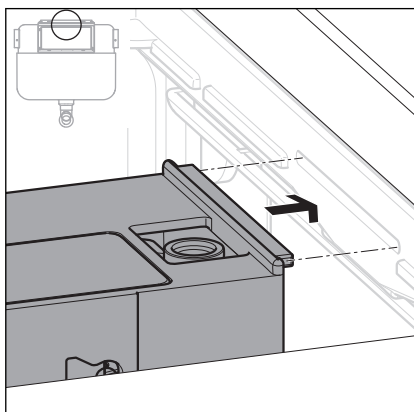
- Turn the mechanism's lock by 90° in an anti-clockwise direction.
  - ⇒ The mechanism is unlocked and can be removed.



- Remove mechanism.

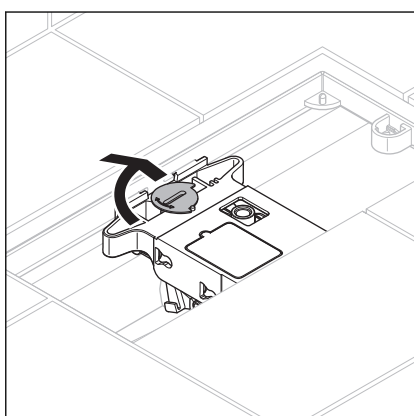


- Remove upper revision cover.



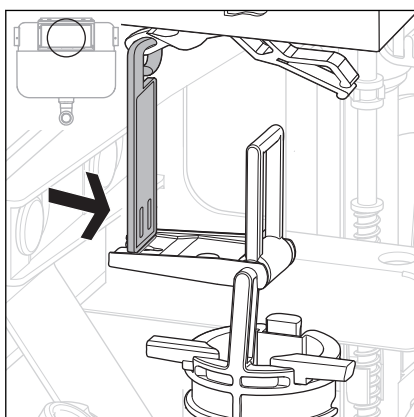
- Insert the mechanism into the cistern from above.

In doing so, ensure that the tracks on the top and bottom edge of the mechanism are in the indentations in the revision shaft of the cistern.

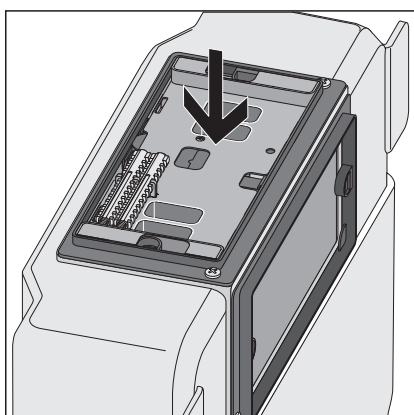


- Turn the mechanism's lock by 90° in a clockwise direction.

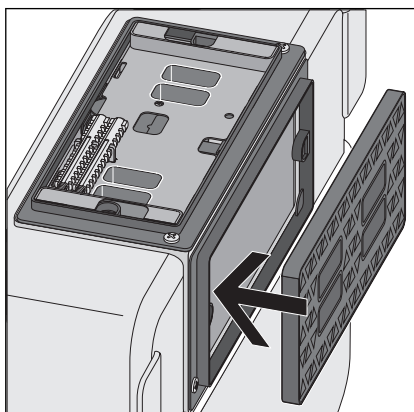
⇒ The mechanism is locked.



- Hang the mechanism in the bow of the drain valve.



- Insert cistern cover from above.

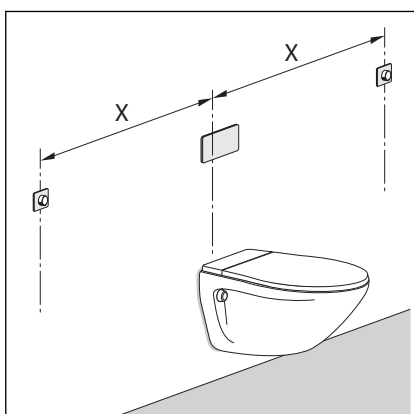


- Insert revision cover from the front.
- Place revision shaft.
- Double-clad (2 x 12.5 mm) and tile WC element with IFGP cladding panels (model 8055.10).

### 3.2.3 Preparing optional actuation versions

#### Prepare remote actuation

The corresponding empty pipe (included in the scope of delivery of the remote actuation) is required when preparing the remote actuation Visign for Public1 (model 8326.21).



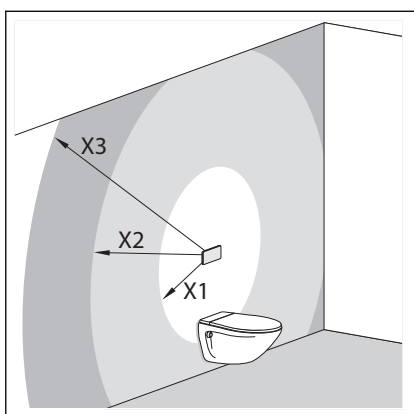
- Lead the empty pipe from the hollow wall socket into the concealed cistern.

Distance from the remote actuation to the cistern (x)

- min. 1.0 m
- max. 1.7 m

#### Prepare electrical actuation

A corresponding empty pipe (not included in the scope of delivery of the electrical actuation) is required for the preparation of the electrical actuation (model 8350.31 or model 8350.32).



- Lead empty pipe from the switch or button into the concealed cistern, to connect the concealed socket and concealed cistern.

Positioning of the cistern power pack

- X1= max. 0.75 m
- X2= max. 2.75 m with an extension cable, 1 x article number 628 505
- X3= max. 4.75 m with two extension cables, 2 x article number 628 505

### 3.2.4 Setting the flush volume



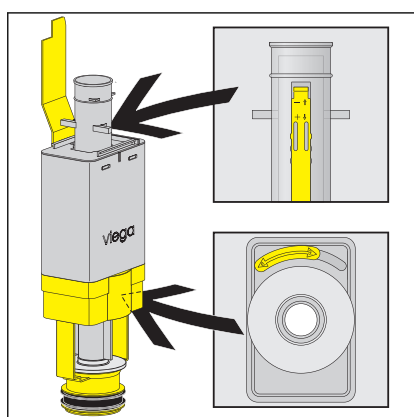
*Immediate re-flushing of the flush volume is possible at the factory settings.*

#### Small flush volume

The WC element is factory-set at a small flush of approx. 3 l. The small flush volume can be set at three levels: approx. 3 l / 3.5 l / 4 l.

- Remove the drain valve from the concealed cistern.
- Push the slide control on the side of the overflow pipe to the desired small flush volume:
  - Top position: approx. 3 l
  - Middle position: approx. 3.5 l
  - Bottom position: approx. 4 l

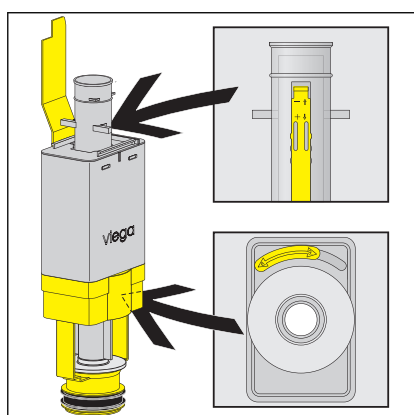
The positions can be identified by the notches.



#### Large flush volume

The WC element is factory-set at a large flush volume of approx. 6 l. The large flush volume can be set continuously from approx. 6 l up to approx. 9 l.

- Remove the drain valve from the concealed cistern.
- Push the slide control below the drain valve to the desired large flush volume:
  - left: approx. 6 l
  - right: approx. 9 l



## 3.3 Cleaning and maintenance

Cleaning may only be carried out by specialist trade professionals or qualified experts.

### Cleaning and maintenance of the concealed cistern

The concealed cistern is constantly under mechanical, chemical, and physical stress. For this reason, the components must be cleaned as required, and the drain and filling valve seals renewed.

In areas or regions with hard water due to high concentration of calcium or magnesium salts, there is the risk of limescale deposits developing on the inlet and drain valves. The valves may have to be replaced, depending on the extent of the deposits.



*Depending on the position of the flush plate, work on the concealed cistern can be carried out from the front or from above through the revision opening.*

## 3.4 Disposal

Separate the product and packaging materials (e. g. paper, metal, plastic or non-ferrous metals) and dispose of in accordance with valid national legal requirements.