

# Instructions for Use

## Tempoplex drain



for shower trays made of steel and/or acrylic

**Model**  
6966

**Year built (from)**  
01/2026

**viega**

# Table of contents

<b>1</b>	<b>About these instructions for use</b>	<b>3</b>
	1.1 Target groups	3
	1.2 Labelling of notes	3
	1.3 About this translated version	4
<b>2</b>	<b>Product information</b>	<b>5</b>
	2.1 Intended use	5
	2.1.1 Areas of application	5
	2.2 Product description	6
	2.2.1 Overview	6
	2.2.2 Technical data	6
	2.3 Accessories	7
<b>3</b>	<b>Handling</b>	<b>8</b>
	3.1 Assembly information	8
	3.1.1 Mounting conditions	8
	3.1.2 Installation dimensions	8
	3.2 Assembly	9
	3.2.1 Mounting the drain	9
	3.2.2 Leakage test	14
	3.2.3 Installing the locking screw cap (optional)	14
	3.3 Care	15
	3.4 Cleaning the drain	15
	3.5 Disposal	18

# 1 About these instructions for use

Trade mark rights exist for this document; for further information, go to [viega.com/legal](http://viega.com/legal).

## 1.1 Target groups

The information in this instruction manual is directed at the following groups of people:

- Heating and plumbing experts and trained personnel
- Operators
- Consumers

Individuals without the abovementioned training or qualification are not permitted to mount, install and, if required, maintain this product. This restriction does not extend to possible operating instructions.

The installation of Viega products must take place in accordance with the general rules of engineering and the Viega instructions for use.

## 1.2 Labelling of notes

Warning and advisory texts are set aside from the remainder of the text and are labelled with the relevant pictographs.



### **DANGER!**

This symbol warns of possible life-threatening injury.



### **WARNING!**

This symbol warns of possible serious injury.



### **CAUTION!**

This symbol warns of possible injury.



### **NOTICE!**

This symbol warns of possible damage to property.



This symbol gives additional information and hints.

### 1.3 About this translated version

This instruction for use contains important information about the choice of product or system, assembly and commissioning as well as intended use and, if required, maintenance measures. The information about the products, their properties and application technology are based on the current standards in Europe (e.g. EN) and/or in Germany (e.g. DIN/DVGW).

Some passages in the text may refer to technical codes in Europe/Germany. These should serve as recommendations in the absence of corresponding national regulations. The relevant national laws, standards, regulations, directives and other technical provisions take priority over the German/European directives specified in this manual: The information herein is not binding for other countries and regions; as said above, they should be understood as a recommendation.

## 2 Product information

### 2.1 Intended use

#### 2.1.1 Areas of application



#### **NOTICE!**

#### **Risk of damage due to unsuitable liquids**

To avoid damaging the drain and other components, only introduce the following liquids:

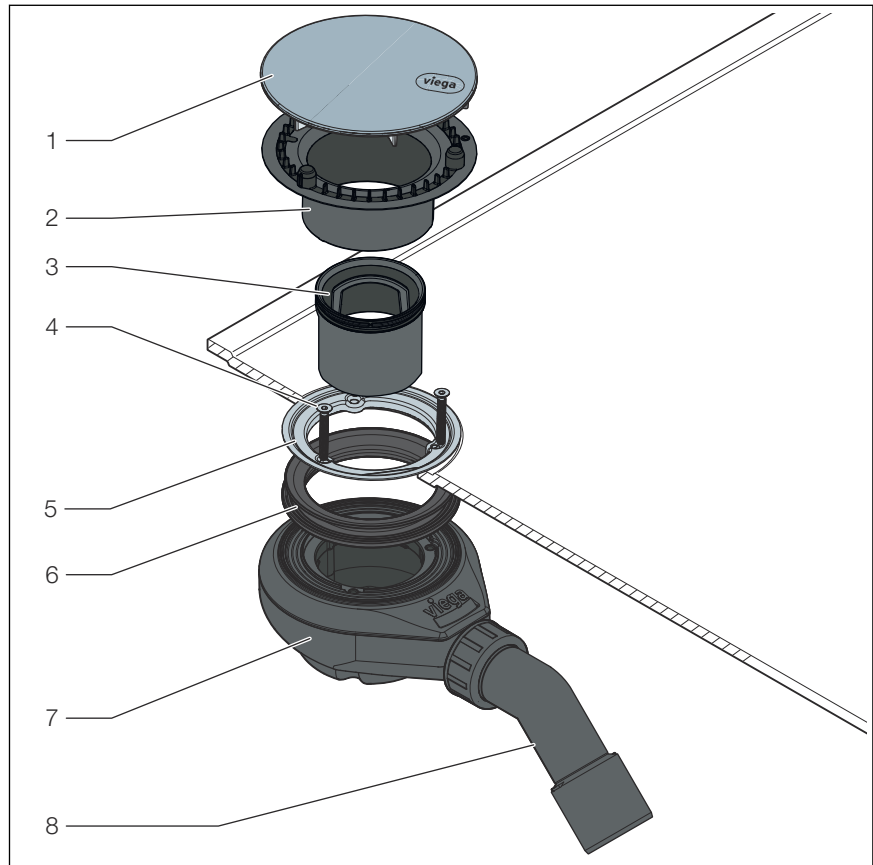
- Typical household wastewater with temperatures up to 95 °C
- The pH value must be higher than 4 but lower than 10.

The Tempoplex drain is a drain with an odour trap and a drain elbow (DN 40/50) for shower trays with a 90 mm drain hole. The drain is suitable for shower trays and provides a high drainage capacity.

Detailed information regarding all shower tray models and the corresponding Viega drains can be found in the catalogue or on the Internet.

## 2.2 Product description

### 2.2.1 Overview

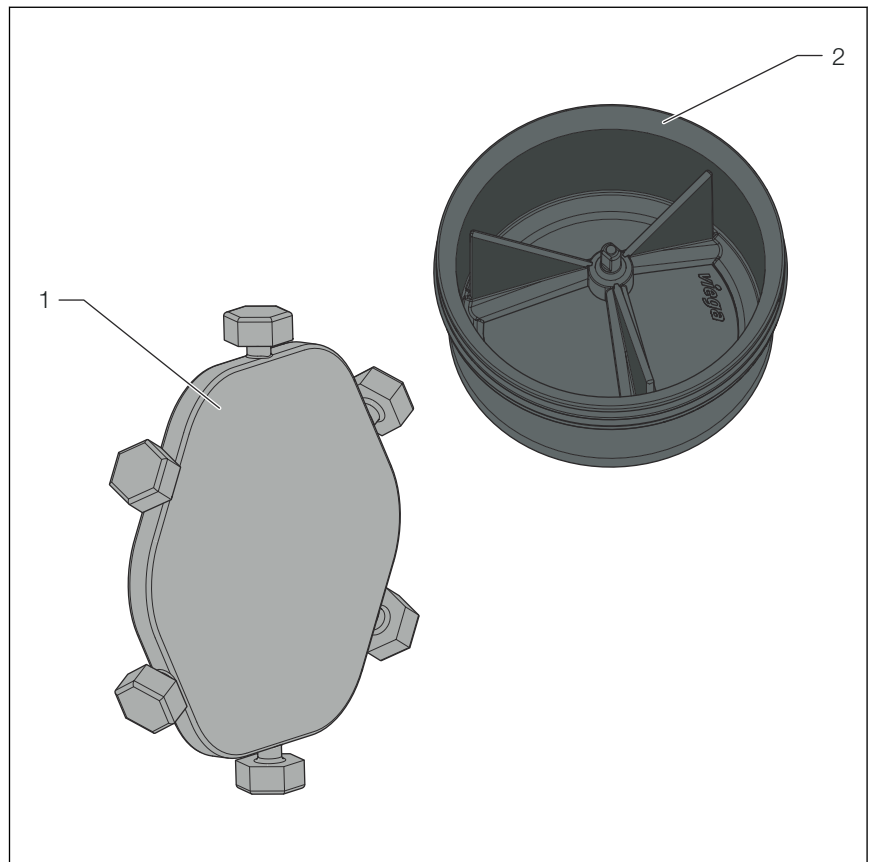


- 1 Cover plate
- 2 2-component sieve insert
- 3 Immersion pipe
- 4 Allen screws
- 5 Fixing flange
- 6 Seal
- 7 Odour trap
- 8 Waste elbow 45°

### 2.2.2 Technical data

Drainage capacity at an accumulation height of 15 mm	0.64 l/s
Diameter drain hole	90 mm
Outlet pipe DN (nominal diameter)	40 / 50 mm
Height	80 mm
Dimensions and installation depth	↪ Chapter 3.1.2 'Installation dimensions' on page 8
Water seal level	50 mm

## 2.3 Accessories



- 1 Tamper protection (for fixing screws) model 6966.67, art. no. 839499
- 2 Dry odour barrier model 6971, art. no. 839451

## 3 Handling

### 3.1 Assembly information

#### 3.1.1 Mounting conditions

The following requirements exist for mounting the model:

- The drain pipeline is installed all the way to the shower tray.
- The drainage capacity is sufficient at an accumulation height of 15 mm.

#### 3.1.2 Installation dimensions

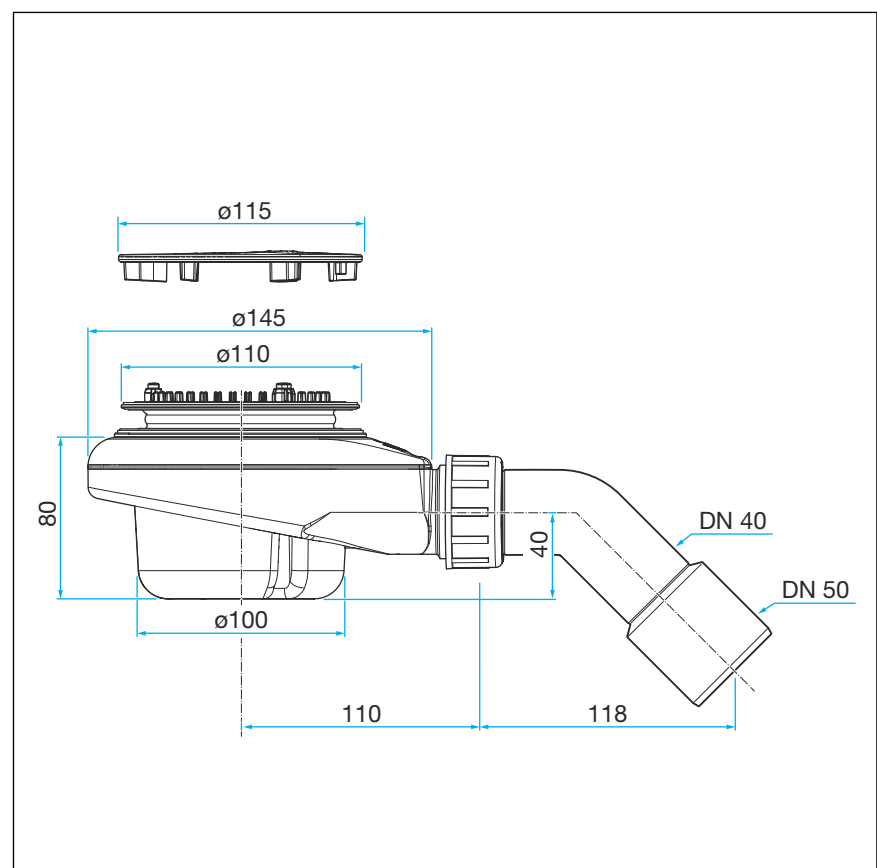
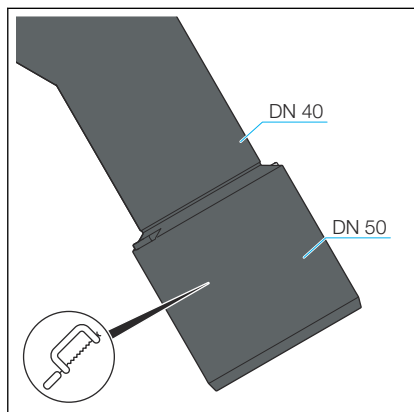


Fig. 1: Dimensional drawing

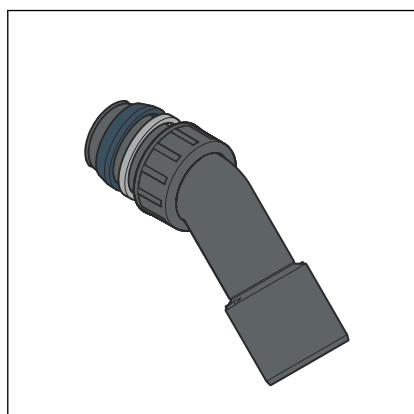
## 3.2 Assembly

### 3.2.1 Mounting the drain

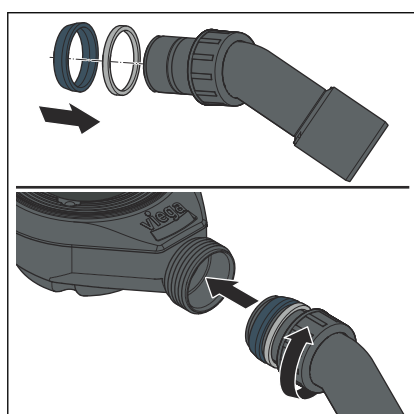
#### Mounting the drain elbow



- If the wastewater pipe only has a diameter of 40 mm, cut off drain elbow.

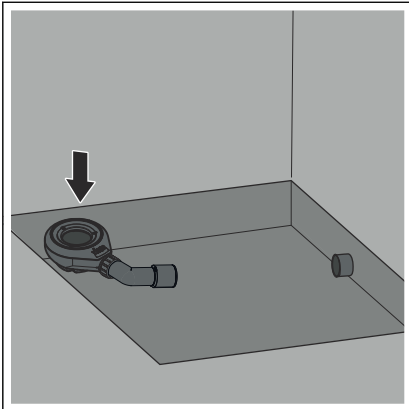


- Push the union nut and the sliding ring (grey) onto the waste elbow.
- Place the gasket on the groove.



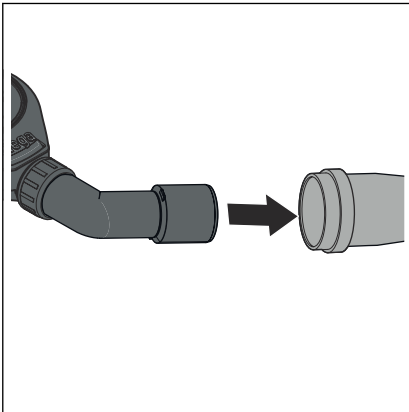
- Insert the waste elbow into the drain unit until it reaches the stop.
- Screw on the union nut.

### Connecting the wastewater system



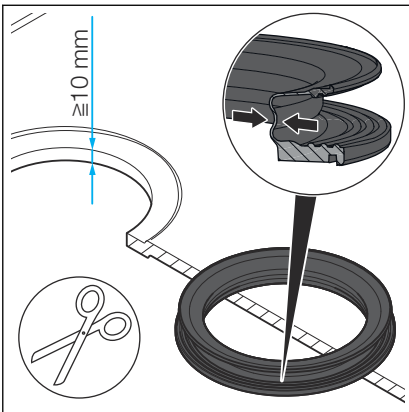
- Position the drain with the waste elbow in the desired installation position.

**INFO!** Pay attention to the position of the drain hole in the shower tray.



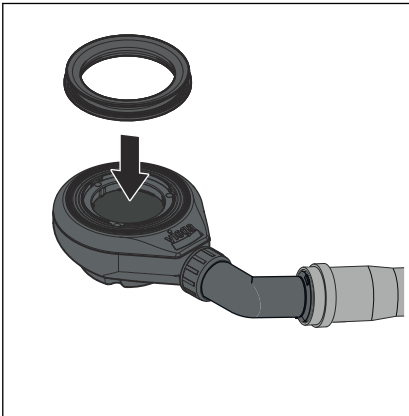
- Insert the waste elbow into the wastewater pipe.

### Inserting seal



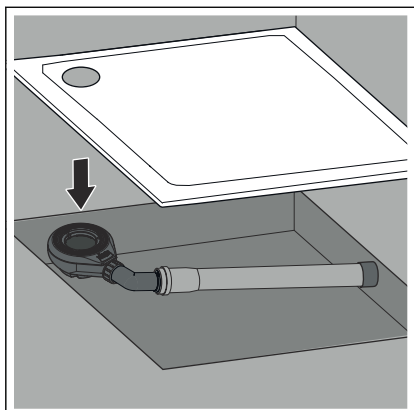
**INFO!** If the shower tray bottom is thicker than 10 mm, separate the seal:

- ▶ Cut the seal into two pieces at the sealing bead.

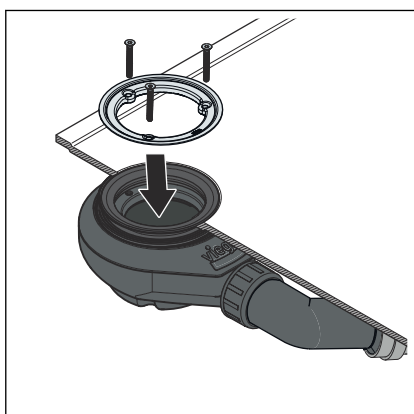


- ▶ Place the seal on the sealing surface of the drain and push into the retaining groove.

## Securing drain



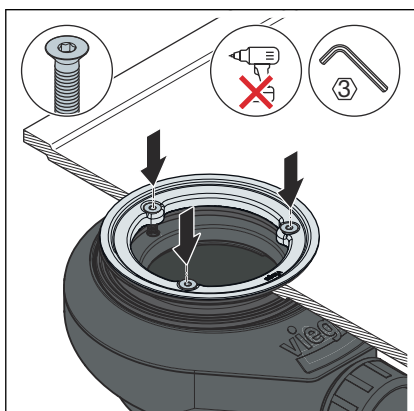
- Insert the shower tray into the intended position according to the manufacturer's instructions.
- Position the drain unit with seal under the shower tray.



- Push the upper part of the seal through the drain hole.

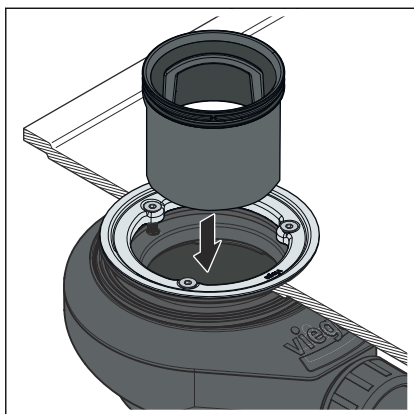
**INFO!** If one of the seals has to be separated, place one part of the seal on the drain casing and the other part in the drain hole.

- Mount the fixing flange.
- Insert the screws by hand.

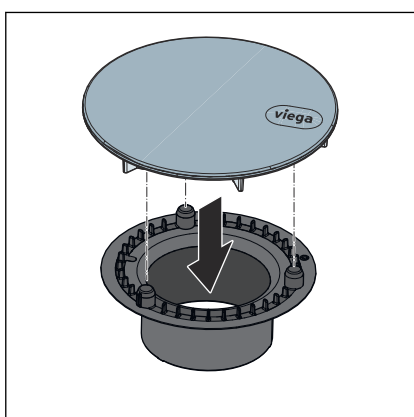


- Tighten the screws evenly using an Allen key (size 3).

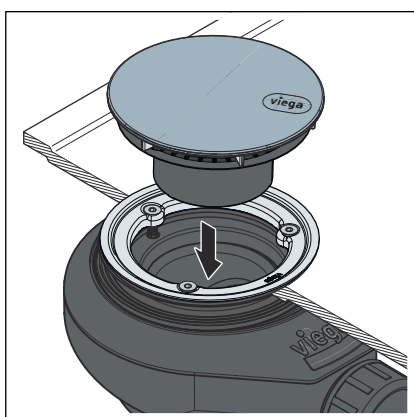
**NOTICE!** Do not use a cordless screwdriver!



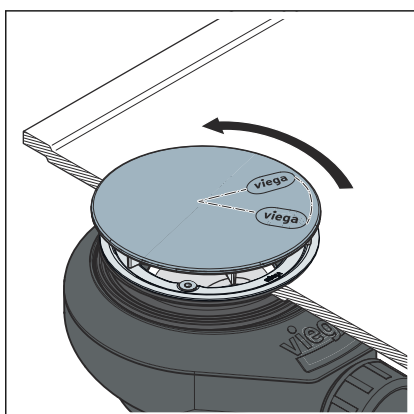
- Insert the immersion pipe flush with the drain unit.



- Press the cover plate onto the three fixing points of the 2-component sieve insert.



- Insert the cover plate into the drain unit with the 2-component sieve insert.



- The logo can be aligned by lifting and turning the cover plate.

### 3.2.2 Leakage test

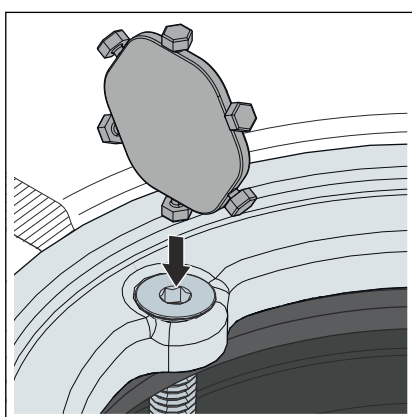
The leakage test is only carried out as a visual inspection.

- Check for visible leaks.

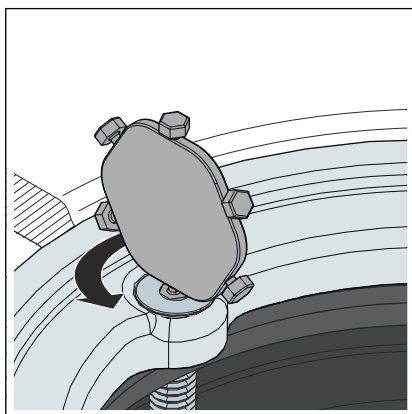
### 3.2.3 Installing the locking screw cap (optional)



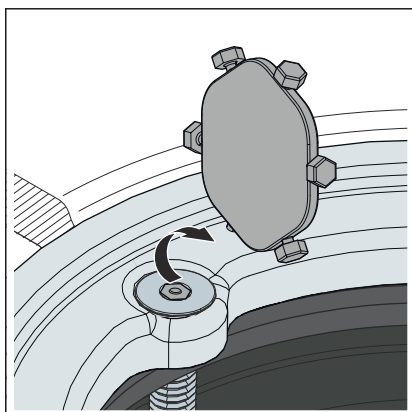
The hexagon socket is closed when the locking screw cap is mounted. The screws can no longer be loosened afterwards.



- Insert the locking screw cap into the Allen screw.



- Unscrew the locking screw cap from the carrier.



- Remove the carrier.

### 3.3 Care



**NOTICE!**  
**Risk of damage due to unsuitable cleaning agent.**

The following cleaning agents can damage polished or chrome-plated surfaces and therefore may not be used:

- Scouring agent
- Abrasive sponges
- Lime, plaster or cement dissolver
- Solvents or other acidic cleaning agents

Normal soap, a mild cleaning agent, or a lint-free microfiber cloth can be used for regular maintenance and prevention of lime scale on the cover plate. Do not use scouring agent or abrasive objects.

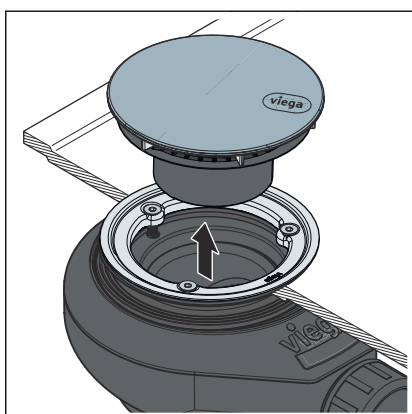
Use household cleaner to remove coarse soiling, also around the drain unit and the odour trap. Rinse the detergent thoroughly with clear water after the prescribed exposure time. There should be no residue on the components.

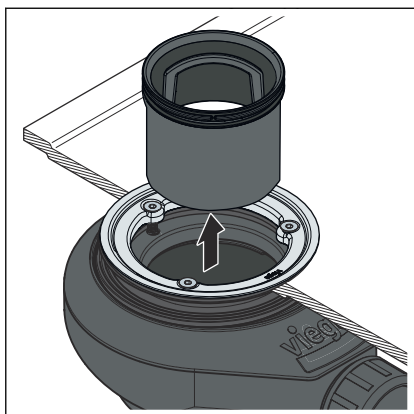
### 3.4 Cleaning the drain



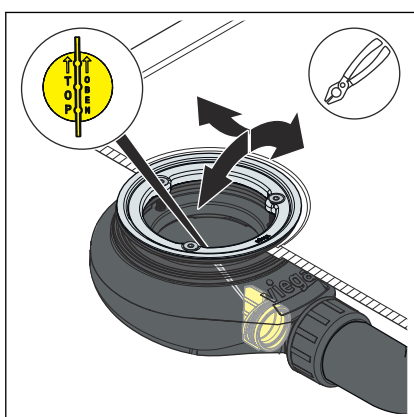
**NOTICE!**  
 Be careful not to damage the odour trap when cleaning the drain.

- Remove the cover plate together with the 2-component sieve insert.

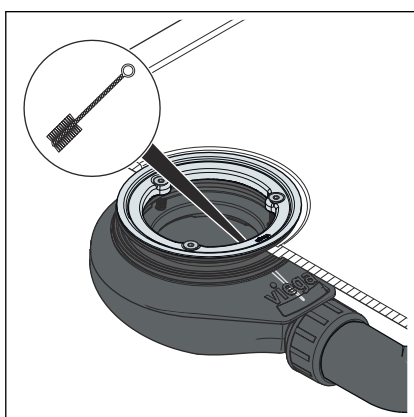




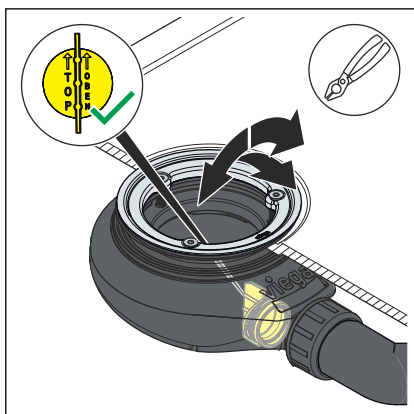
- Remove the immersion pipe upwards.



- For free access to the sewer line:  
Grip the plug on the strap with pliers and pull it off.

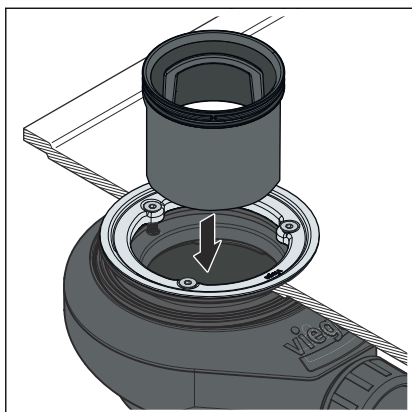


- Clean the drain carefully to avoid damaging the fitting.

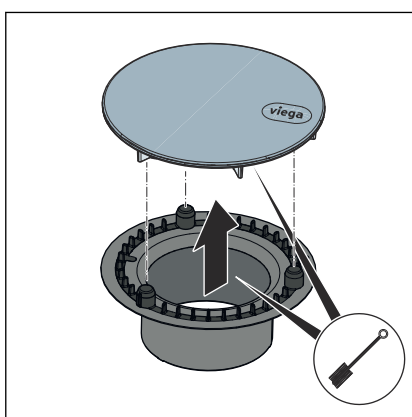


- Insert the plug flush with the surface.

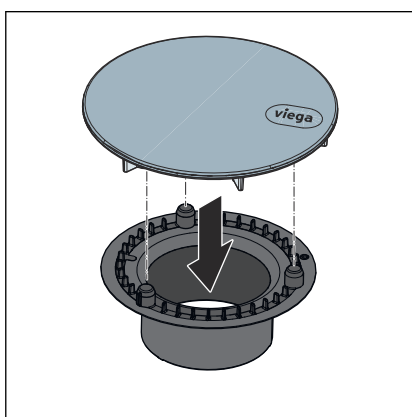
**INFO!** Ensure the plug is correctly positioned. The lug must be positioned vertically.



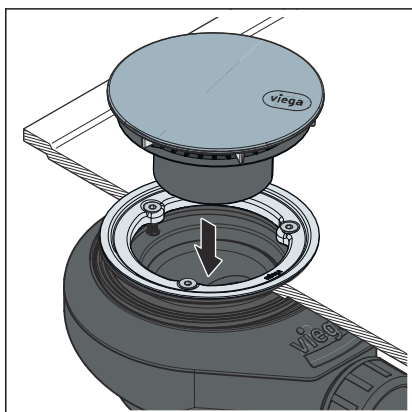
- Insert the immersion pipe flush with the drain unit.



- Remove the cover plate from the 2-component sieve insert.
- Clean the cover plate and the 2-component sieve insert.



- Press the cover plate onto the three fixing points of the 2-component sieve insert.



- Insert the cover plate into the drain unit with the 2-component sieve insert and align it as required.

## 3.5 Disposal

Separate the product and packaging materials (e. g. paper, metal, plastic or non-ferrous metals) and dispose of in accordance with valid national legal requirements.



**Viega GmbH & Co. KG**  
service-technik@viega.de  
viega.com

INT • 2026-06 • VPN250080

